

BMI[®]

Measuring Instruments

...measuring the progress





made in
Germany

BMI[®]

Our Intentions

As a private enterprise that has been owned by our family for more than 70 years, we feel particularly committed to our customers' interests. One of our major intentions is to live up to the reputation and tradition of the quality label "Made in Germany".

In the North Bavaria town of Hersbruck we manufacture high-quality measurement tools for the most diversified applications. These products meet the highest demands of trade and industry. On top of that, BMI succeeds in combining tradition and innovation.

This is also highlighted by our way into laser levelling. Since 1993, BMI has been one of the leading manufacturers in this technology.

A further indication of the continuous innovation are more than 40 active patents. Some of our patented milestones in the development and production of practical measuring instruments are

- 1986** The introduction of unique spirit levels whose vials have been unalterably fixed by means of ultrasonic welding
- 1986** The minimization of a tape breakage hazard through the FLEXTOP tip for measuring tapes
- 1992** Measuring tape frames with ball bearings of the ERGOLINE series for left and right handers
- 1997** Hightech manufacture of EUROSTAR with unbreakable, laser-marked vials
- 1999** The levelling laser BMI Magic and its universal usage
- 2001** Introduction of the enclosed series, RADIUS for measuring tapes
- 2003** Presenting the robust, waterproof construction laser NAUTILUS IPX7
- 2005** topoMAT – sold more than 10.000 times – becomes rainproof according to the IP55 standard
- 2007** Quicky – both tape and folding rule in one
- 2010** POLYWOOD – the first spirit level with attributes "non-sparking tool" and "fully insulated up to 1000 volts according to EN60900:2004"
- 2011** **BMI**meter with stop and beltclip
- 2014** BMI Pico – Spirit level and measuring tape all in one
- 2016** The new VARIO – pocket tape of finest quality – "Made in Germany".

It has been, and remains our first priority to equip you with up-to-date premium quality measuring instruments.



Hans Keller
Manager and Sole Proprietor



NEW

in our catalogue



Simply scan with your smartphone the corresponding App and have a fast access to our website!

(0 91 51) 73 01-0
 +49 (91 51) 73 01-0

**HOTLINE
National**

International

Items for Promotion

Please ask for our special catalogue on items for promotion.

Phone: +49 (91 51) 73 01-16



Visit our website on the Internet:

www.bmi.de
 eMail: info@bmi.de

Please note our General Terms and Conditions on page 98/99. Our products can be obtained in specialist shops.

Edition: 2016



Measuring Tapes,
Frame- and Case-Type

6



Pocket Tapes

30



Spirit Levels

40



LASER-Technology

62



Rules

78



Squares/
Surveyor's Equipment

90

Profi
Qualität
Alles aus
einer Hand



These BMI advantages are your benefit:



Frame designed according to ergonomic requirements



Can be modified from right-hand to left-hand operation within seconds



Ball bearings resistant to wear for most convenient handling



Aluminium profiles resistant to bending



Wear-resistant tape outlet of high tech plastic

Measuring Tapes, Frame- and Case-Type

Measuring tapes by BMI, that means patented features which ease the work of professionals and "do it yourselfers" alike, protect the tool itself and thus save time and money. All the three frame series are ergonomically designed, can be modified from right-hand to left-hand operation in no time, and are even equipped with slide or ball bearings.

The FLEXTOP tip which is optionally available without extra charge prevents breakage at the tape end. Our broad range of tape designs with regard to lengths, materials and graduation layout provide the user with the perfect solution for every measuring task. The RADIUS case series also includes many of these features, of course.

Measuring tapes by BMI are certainly the right choice

ADVANTAGES

- Tapes comply to the EC accuracy classes I, II or III. Many of them are EC type-approved and are thus suitable for calibration
- Frames designed according to ergonomic requirements
- Can be modified from right-hand to left-hand operation within a second
- Ball bearings resistant to wear for most convenient handling of the ERGOLINE frame
- Low-wear slide bearings for BASIC and STANDARD frames
- The FLEXTOP tip prevents breakage at the tape commencement (see page 12)
- Park position for the tape commencement ring and crank arm



Nothing can scratch me!

- Measuring tapes with this symbol have a transparent coating as wearing protection, 10 times stronger than any other non-abrasive coatings! You will obtain many of these advantages from BMI only, as they have been patented!



Park position for tape commencement ring



Park position for crank arm



The FLEXTOP tip prevents breakage at the tape commencement (See also page 12)



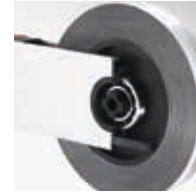
RADIUS case with easy grip soft-touch surface

ERGOLINE

ERGOLINE frame series

Ergonomically shaped frame with easy-to-grip, soft rubber protrusions.

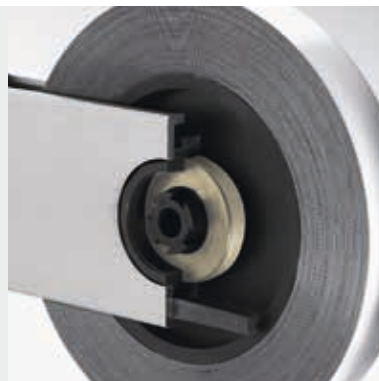
Park position for crank arm and tape commencement ring. Ball bearings for highest winding convenience.



STANDARD

STANDARD frame series

Like ERGOLINE, but with plastic slide rings instead of ball bearings, without soft rubber protrusions.



BASIC

BASIC frame series
High-impact plastic frame. Important features as in ERGOLINE,
but with slide rings instead of ball bearings.



BMI



RADIUS

RADIUS case series
Ergonomically shaped case with large crank arm and park position
for commencement ring. Slide bearing shells for highest winding
comfort. With easy grip soft-touch surface.



555 CASE SERIES

555 case series

Handy case tape made of shock-resistant plastics.
Carrying strap. **Tape width 10 mm**



BRASS FRAMES

Dipping tapes, suitable for calibration (large fig.)

Brass frames for stainless steel tapes small fig.)



including weight 476,
please see page 13 for description,
suitable for calibration

Graduation lay-out

Graduations available.
Custom made graduations on request



1: (cm)



2: (cm/cm)



3: (cm/inch)



4: (mm)



5: (mm/inch)

Measurement Commencements

A:
Measurement commencement
approx. 10 cm after end fitting



B:
Measurement commencement
at front fitting edge



C:
Measuring commencement
at front ring edge



L:
Measurement commencement
at the bottom edge of the weight



Tape Commencements

For all steel measuring tapes
13 mm, pull ring made of
break-proof plastic, 2 notches
for weights.

**This commencement will be
delivered when no special
commencement is mentioned**



F:
FLEXTOP tip made of trans-
parent, highly-flexible plastic; reliably
prevents breakage at the tape
commencements.

For all steel measuring tapes
13 mm, pull ring made of
break-proof plastic, 2 notches
for weights



BHF:
Hookring with FLEXTOP tip,
measurement commencement B



CHF:
Hookring with FLEXTOP tip,
measurement commencement C



M:
Metal commencement with
metal ring





Weight 11
Brass, cylindrical, no graduation, length 170 mm, diameter 24 mm, weight 500 g (can be removed from the tape)

Article N°.
340 00 11



Weight 16
Stainless steel cylindrical, engraved mm scale on one and inch scale on the other side, length 113 mm, diameter 24 mm, weight 400 g (cannot be removed from the tape)

Article N°.
340 02 16



Weight 14
Brass cylindrical, engraved mm scale on one and inch scale on the other side, length 80 mm, diameter 24 mm, weight 300 g (cannot be removed from the tape)

Article N°.
340 02 14



Weight 10
Brass cylindrical, engraved mm scale on one and inch scale on the other side, length 89 mm, diameter 24 mm, weight 300 g (can be removed from the tape)

Article N°.
340 02 10



Weight 30
Brass cylindrical, torpedo-shaped ends, mm scale engraved on one side, length 153 mm, diameter 30 mm, weight 700 g (cannot be removed from the tape), **suitable for calibration**

Article N°.
340 01 30



Weight 31 according to IPM Standard
Brass cylindrical, torpedo-shaped ends, mm scale engraved on one side, length 156 mm, diameter 30 mm, weight 700 g (can be removed from the tape)

Article N°.
340 01 31 IPM



Weight 476
Brass cylindrical, length 100 mm, diameter 45 mm, weight 660 g (cannot be removed from the tape), **suitable for calibration**

see order overview at page 22



Weight 18
Brass cylindrical, engraved mm scale, length 113 mm, diameter 25 mm, weight 400 g (cannot be removed from the tape), **suitable for calibration**

Article N°.
340 01 18

Custom made measuring tapes

For example self adhesive tapes with graduation from right to left side.

We are pleased to produce custom made measuring tapes for you (see page 28). Please contact us!

Interesting facts about measuring tapes

Accuracy:

BMI measuring tapes have been manufactured according to the highest quality standards in Germany. Within the scope of product liability we guarantee for the observation of tolerances according to EC accuracy classes for metric graduations.

Our standard is

- for steel tapes:
class II (class I option for an extra charge)
- for glass fibre reinforced measuring tapes: class II (class III for dual graduation)

Tolerances according to EC accuracy classes:

- I: $\pm 1,1$ mm in 10 m
- II: $\pm 2,3$ mm in 10 m
- III: $\pm 4,6$ mm in 10 m

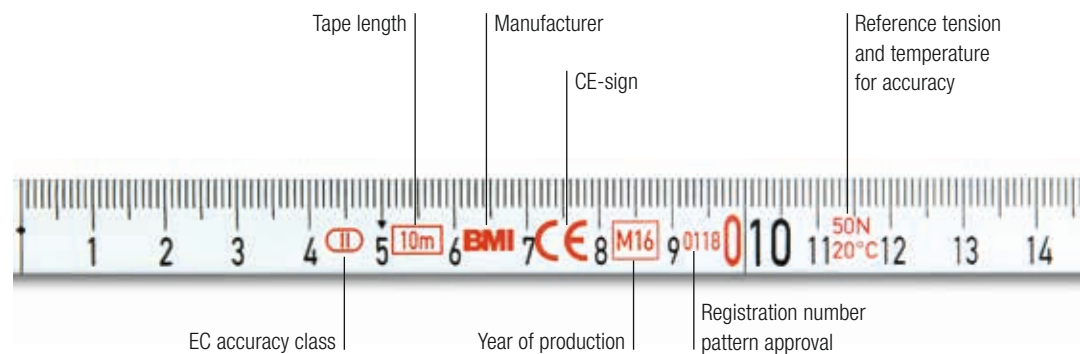
High-quality measuring tapes can be recognized from the different imprints at the tape end. There you will find the manufacturer's label, the number of the EC type approval, the EC class accuracy, the reference temperature and the tension for which the manufacturer guarantees the observation of measurement tolerances according to the EC class accuracy.

Certificate of Conformity:

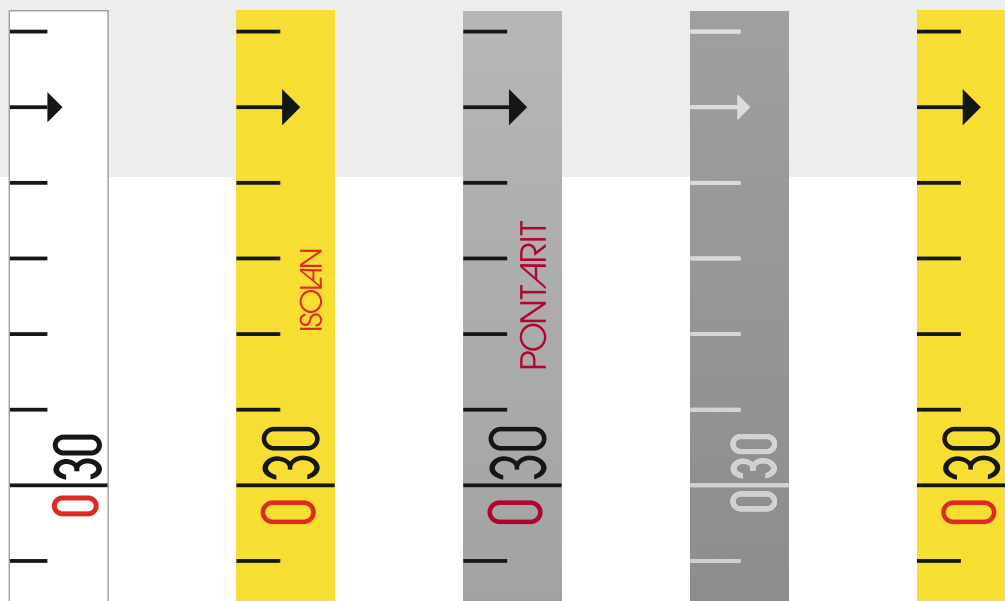
For all measuring tapes with a metric graduation we will issue a certificate of conformity, if required. Compliance of the tape widths with the respective EC type approval and the observation of measuring tolerances according to EC accuracy classes are certified herein (Surcharge).

Calibration:

All measuring tapes with a metric graduation are EEC pattern approved and can be calibrated for an extra charge. This calibration is valid in all EU member states. Some dipping tapes, however, are exempted.



Recommended usage



Tape quality:	Steel, white enameled, printed graduation	Steel, yellow enameled, printed graduation, with polyamide coating, "ISOLAN"	Refined steel, printed graduation, "PONTARIT"	Refined steel, high etched graduation,	Glassfibre, reinforced plastic, printed graduation
Characteristics:					
stainless	+	++	+++	+++	+++
acid-proof		+		+++	
proved for oil				+++	
non-conductive (insulated)					+++
unbreakable/flexible	+	++	++	++	+++
resistant to wear	++	+++	+	++	+
readability	+++	+++	++	+	+++
Recommended use:	universal, normal use	universal, toughest demands	also in wet environment	also in chemical aggressive environment	universal, weaker demands
Equipment options:					
Graduation	cm, cm/cm, mm, mm/inch	cm, cm/cm, mm, mm/inch	cm, cm/cm, mm, mm/inch	cm, cm/cm, mm, mm/inch	cm, cm/cm, cm/inch
Lengths	10 to 100 m	10 to 100 m	10 to 100 m	10 to 100 m	10 to 100 m
Measurement commence	A, B, C, L	A, B, C, L	A, B, C, L	A, B, C, L	A, B, C
Tape commencements	all	all	all	all	all, but no Flextop
Accuracy:					
EC class	II, (I possible)	II, (I possible)	II, (I possible)	II, (I possible)	Graduation II on one side graduation III on two sides
Suitability for calibration	all variants on A and B, CH, L30	all variants on A and B, CH, L30	all variants on A and B, CH, L30	all variants on A and B, CH, L30, L476	all variants on A and B, CH

+ = for limited use
 ++ = good for use
 +++ = best suited for

Order survey tape quality

White enamelled 13 mm



White enamelled measuring tape,
printed graduation

This is how your Article N°. could look like:

301 01 1 010 A F



Type	Frame size	Graduation number	Length meter	Measurement commencement	Tape commencement
301	01	X	010	X	X
301	01	X	015	X	X
301	01	X	020	X	X
301	02	X	025	X	X
301	02	X	030	X	X
301	02	X	050	X	X



Type	Frame size	Graduation number	Length meter	Measurement commencement	Tape commencement
301	03	X	050	X	X
301	04	X	100	X	X



Type	Frame size	Graduation number	Length meter	Measurement commencement	Tape commencement
501	01	X	010	X	X
501	01	X	015	X	X
501	01	X	020	X	X
501	02	X	025	X	X
501	02	X	030	X	X
501	02	X	050	X	X



Type	Frame size	Graduation number	Length meter	Measurement commencement	Tape commencement
501	03	X	050	X	X
501	04	X	100	X	X

Please choose numbers and capital letters of desired tape features and transfer them to your Article N°.

Graduations

1 (cm)	
4 (mm)	
5 (mm/inch) 25 % surcharge	

Measurement commencements

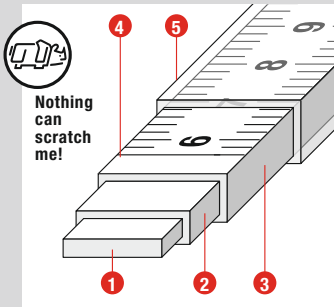
A	
B	
C	
L	

Please order weight separately, see p.13 for model variants

Tape commencements (optional)

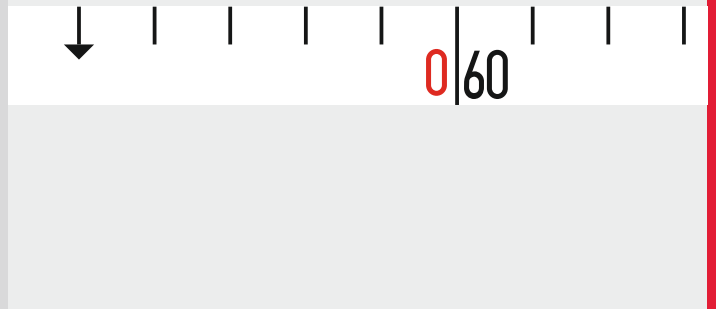
F (FLEXTOP)	
HF (hookring flexible, surcharge)	
M (metal ring)	

for measurement commencement B
for measurement commencement C



Tape structures

- 1 Concave, tempered spring blade steel of high stability
- 2 Anticorrosive phosphate coating
- 3 Synthetic resin, stoved
- 4 Printed graduation with red meter figures
- 5 Clear varnish to protect against wear, stoved



BMI

Type	Frame size	Graduation number	Length meter	Measurement commencement	Tape commencement
501	31	X	010	X	X
501	31	X	015	X	X
501	31	X	020	X	X
501	31	X	025	X	X
501	31	X	030	X	X
501	32	X	050	X	X

Type	Frame size	Graduation number	Length meter	Measurement commencement	Tape commencement
501	34	X	100	X	X

Type	Frame size	Graduation number	Length meter	Measurement commencement	Tape commencement
501	21	X	010	X	X
501	21	X	015	X	X
501	21	X	020	X	X
501	22	X	025	X	X
501	22	X	030	X	X
501	23	X	050	X	X

Type	Frame size	Graduation number	Length meter	Measurement commencement	Tape commencement
501	00	X	001	X	X
501	00	X	002	X	X
501	00	X	005	X	X
501	00	X	010	X	X
501	00	X	015	X	X
501	00	X	020	X	X
501	00	X	025	X	X
501	00	X	030	X	X
501	00	X	050	X	X
501	00	X	100	X	X

BASIC

Size 1/2



Size 3/4



RADIUS case



Replacement tapes

Graduations

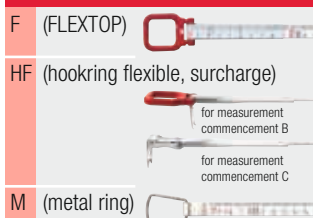
1 (cm)	
4 (mm)	
5 (mm/inch)	

25 % surcharge

Measurement commencements



Tape commencements (optional)



Please choose numbers and capital letters of desired tape features and transfer them to your Article N°.

Order survey tape quality

ISOLAN 13 mm

ISOLAN tape, polyamide coating,
printed graduation

This is how your Article N°. could look like:

305 01 1 010 A F

ERGOLINE

Size 1/2



Size 3/4



STANDARD

Size 1/2



Size 3/4



Type	Frame size	Graduation number	Length meter	Measurement commencement	Tape commencement
305	01	X	010	X	X
305	02	X	015	X	X
305	02	X	020	X	X
305	02	X	025	X	X
305	02	X	030	X	X
Type	Frame size	Graduation number	Length meter	Measurement commencement	Tape commencement
305	03	X	030	X	X
305	04	X	050	X	X
305	04	X	100	X	X
Type	Frame size	Graduation number	Length meter	Measurement commencement	Tape commencement
505	01	X	010	X	X
505	02	X	015	X	X
505	02	X	020	X	X
505	02	X	025	X	X
505	02	X	030	X	X
Type	Frame size	Graduation number	Length meter	Measurement commencement	Tape commencement
505	03	X	030	X	X
505	04	X	050	X	X
505	04	X	100	X	X

Please choose numbers and capital letters of desired tape features and transfer them to your Article N°.

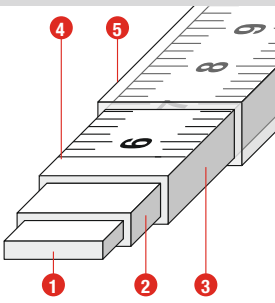
Graduations	
1 (cm)	
4 (mm)	
5 (mm/inch) 25 % surcharge	

Measurement commencements	
A	
B	
C	
L	

Please order weight separately, see p.13 for model variants

Tape commencements (optional)	
F (FLEXTOP)	
HF (hookring flexible, surcharge)	
M (metal ring)	

for measurement commencement B
for measurement commencement C



Tape structures

- 1 Tempered spring blade made of carbon steel C 75
- 2 Anticorrosive phosphate layer
- 3 Yellow synthetic resin, stoved
- 4 Printed graduation with red metre digits
- 5 Polyamide coating against wear*



* resistant to alkalis, saline solutions, grease, oils and diluted acids

Type	Frame size	Graduation number	Length meter	Measurement commencement	Tape commencement
505	31	X	010	X	X
505	31	X	015	X	X
505	31	X	020	X	X
505	32	X	025	X	X

Type	Frame size	Graduation number	Length meter	Measurement commencement	Tape commencement
505	33	X	030	X	X
505	34	X	050	X	X

Type	Frame size	Graduation number	Length meter	Measurement commencement	Tape commencement
505	21	X	010	X	X
505	22	X	015	X	X
505	22	X	020	X	X
505	22	X	025	X	X
505	23	X	030	X	X
505	23	X	050	X	X

Type	Frame size	Graduation number	Length meter	Measurement commencement	Tape commencement
505	00	X	001	X	X
505	00	X	002	X	X
505	00	X	005	X	X
505	00	X	010	X	X
505	00	X	015	X	X
505	00	X	020	X	X
505	00	X	025	X	X
505	00	X	030	X	X
505	00	X	050	X	X
505	00	X	100	X	X

BASIC

Size 1/2



Size 3/4



RADIUS case



Replacement tapes

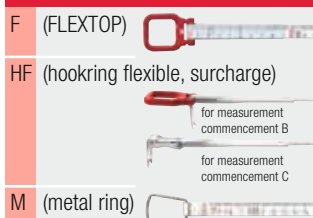
Graduations

1 (cm)	
4 (mm)	
5 (mm/inch) 25 % surcharge	

Measurement commencements



Tape commencements (optional)

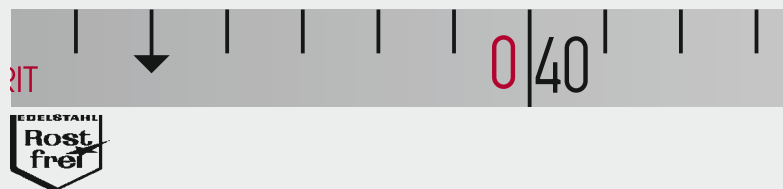


Please choose numbers and capital letters of desired tape features and transfer them to your Article N°.

Order survey tape quality

PONTARIT 13 mm

PONTARIT stainless steel tape,
printed graduation



This is how your Article N°. could look like:

315 01 1 010 A F

ERGOLINE

Size 1/2



Size 3/4



STANDARD

Size 1/2



Size 3/4



Type	Frame size	Graduation number	Length meter	Measurement commencement	Tape commencement
315	01	X	010	X	X
315	01	X	015	X	X
315	01	X	020	X	X
315	02	X	025	X	X
315	02	X	030	X	X
315	02	X	050	X	X
Type	Frame size	Graduation number	Length meter	Measurement commencement	Tape commencement
315	03	X	050	X	X
315	04	X	100	X	X
Type	Frame size	Graduation number	Length meter	Measurement commencement	Tape commencement
515	01	X	010	X	X
515	01	X	015	X	X
515	01	X	020	X	X
515	02	X	025	X	X
515	02	X	030	X	X
515	02	X	050	X	X
Type	Frame size	Graduation number	Length meter	Measurement commencement	Tape commencement
515	03	X	050	X	X
515	04	X	100	X	X

Please choose numbers and capital letters of desired tape features and transfer them to your Article N°.

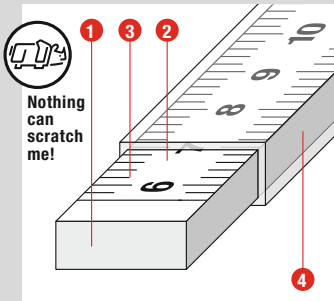
Graduations	
1 (cm)	
4 (mm)	

Measurement commencements	
A	
B	
C	
L	

Please order weight separately, see p.13 for model variants

Tape commencements (optional)	
F (FLEXTOP)	
HF (hookring flexible, surcharge)	
M (metal ring)	

for measurement commencement B
for measurement commencement C



Tape structures

- 1 Strain-hardened spring blade made of stainless chrome nickel steel
- 2 Matt-pickled surface
- 3 Printed graduation with red metre digits
- 4 Clear varnish against wear, stoved



Type	Frame size	Graduation number	Length meter	Measurement commencement	Tape commencement
515	31	X	010	X	X
515	31	X	015	X	X
515	31	X	020	X	X
515	31	X	025	X	X
515	31	X	030	X	X
515	32	X	050	X	X

Type	Frame size	Graduation number	Length meter	Measurement commencement	Tape commencement
515	34	X	100	X	X

Type	Frame size	Graduation number	Length meter	Measurement commencement	Tape commencement
515	21	X	010	X	X
515	21	X	015	X	X
515	21	X	020	X	X
515	22	X	025	X	X
515	22	X	030	X	X
515	23	X	050	X	X

Type	Frame size	Graduation number	Length meter	Measurement commencement	Tape commencement
515	00	X	010	X	X
515	00	X	015	X	X
515	00	X	020	X	X
515	00	X	025	X	X
515	00	X	030	X	X
515	00	X	050	X	X
515	00	X	100	X	X

BASIC

Size 1/2



Size 3/4



RADIUS case

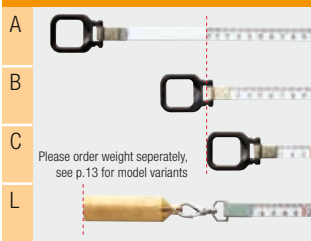


Replacement tapes

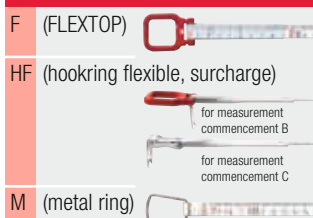
Graduations



Measurement commencements



Tape commencements (optional)



Please choose numbers and capital letters of desired tape features and transfer them to your Article N°.

Order survey tape quality

High etched

13 mm



This is how your Article N°. could look like:

309 01 1 010 A F

High etched stainless steel tape

ERGOLINE

Size 1/2



Type	Frame size	Graduation number	Length meter	Measurement commencement	Tape commencement
309	01	X	010	X	X
309	01	X	015	X	X
309	01	X	020	X	X
309	02	X	025	X	X
309	02	X	030	X	X
309	02	X	050	X	X

Size 3/4



Type	Frame size	Graduation number	Length meter	Measurement commencement	Tape commencement
309	03	X	050	X	X
309	04	X	100	X	X

STANDARD

Size 1/2



Type	Frame size	Graduation number	Length meter	Measurement commencement	Tape commencement
509	01	X	010	X	X
509	01	X	015	X	X
509	01	X	020	X	X
509	02	X	025	X	X
509	02	X	030	X	X
509	02	X	050	X	X

Size 3/4



Type	Frame size	Graduation number	Length meter	Measurement commencement	Tape commencement
509	03	X	050	X	X
509	04	X	100	X	X

Brass frame series



including weight 476.
Please see p.13 for description,
suitable for calibration

Type	Frame size	Graduation number	Length meter	Measurement commencement	Tape commencement
309	12	4	010	L	476
309	12	4	015	L	476
309	12	4	020	L	476
309	12	4	025	L	476
309	12	4	030	L	476
309	12	4	050	L	476

Please choose numbers and capital letters of desired tape features and transfer them to your Article N°.

Graduations

1 (cm)	
4 (mm)	
5 (mm/inch)	

25 % surcharge

Measurement commencements

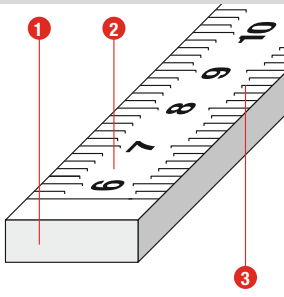
A	
B	
C	
L	

Please order weight separately, see p.13 for model variants

Tape commencements (optional)

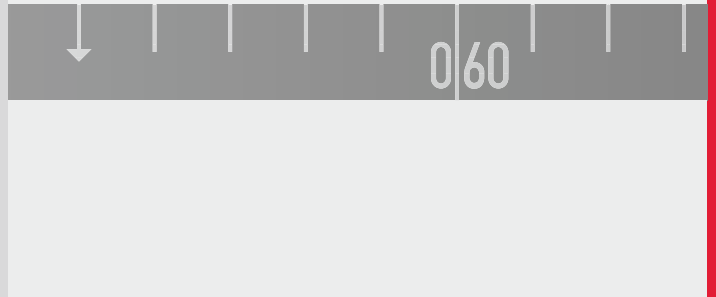
F (FLEXTOP)	
HF (hookring flexible, surcharge)	
M (metal ring)	

for measurement commencement B
for measurement commencement C



Tape structures

- 1 Strain-hardened spring blade made of stainless chrome steel
- 2 Lowered, etched surface
- 3 Raised, polished graduation



Type	Frame size	Graduation number	Length meter	Measurement commencement	Tape commencement
509	31	X	010	X	X
509	31	X	015	X	X
509	31	X	020	X	X
509	31	X	025	X	X
509	31	X	030	X	X
509	32	X	050	X	X

Type	Frame size	Graduation number	Length meter	Measurement commencement	Tape commencement
509	34	X	100	X	X

Type	Frame size	Graduation number	Length meter	Measurement commencement	Tape commencement
509	21	X	010	X	X
509	21	X	015	X	X
509	21	X	020	X	X
509	22	X	025	X	X
509	22	X	030	X	X
509	23	X	050	X	X

Type	Frame size	Graduation number	Length meter	Measurement commencement	Tape commencement
509	00	X	010	X	X
509	00	X	015	X	X
509	00	X	020	X	X
509	00	X	025	X	X
509	00	X	030	X	X
509	00	X	050	X	X
509	00	X	100	X	X

BASIC

Size 1/2



Size 3/4



RADIUS case



Replacement tapes

Graduations

1 (cm)	
4 (mm)	
5 (mm/inch) 25 % surcharge	

Measurement commencements

A	
B	
C	
L	

Please order weight separately, see p.13 for model variants

Tape commencements (optional)

F (FLEXTOP)	
HF (hookring flexible, surcharge)	
M (metal ring)	

for measurement commencement B
for measurement commencement C

Please choose numbers and capital letters of desired tape features and transfer them to your Article N°.

Order survey tape quality

Plastic 13 mm

Plastic measuring tape, glass fibre reinforced

This is how your Article N°. could look like:

320 01 1 010 A H

ERGOLINE

Size 1/2



Size 3/4



Type	Frame size	Graduation number	Length meter	Measurement commencement	Tape commencement
320	01	X	010	X	X
320	01	X	015	X	X
320	02	X	020	X	X
320	02	X	025	X	X

Type	Frame size	Graduation number	Length meter	Measurement commencement	Tape commencement
320	03	X	030	X	X
320	04	X	050	X	X

STANDARD

Size 1/2



Size 3/4



Type	Frame size	Graduation number	Length meter	Measurement commencement	Tape commencement
520	01	X	010	X	X
520	02	X	015	X	X
520	02	X	020	X	X
520	02	X	025	X	X

Type	Frame size	Graduation number	Length meter	Measurement commencement	Tape commencement
520	03	X	030	X	X
520	04	X	050	X	X
520	04	X	100	X	X

Please choose numbers and capital letters of desired tape features and transfer them to your Article N°.

Graduations

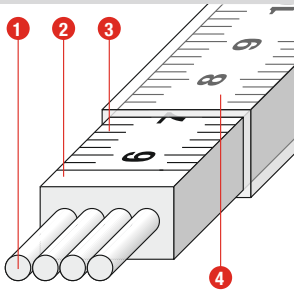
1	(cm)	
2	(cm/cm) 25 % surcharge	
3	(cm/inch) 25 % surcharge	

Measurement commencements



Tape commencements (optional)





Tape structures

- 1 Glass fibres
- 2 Extruded plastic coating
- 3 Printed graduation with red metre digits
- 4 Varnished against wear



Type	Frame size	Graduation number	Length meter	Measurement commencement	Tape commencement
520	31	X	010	X	X
520	31	X	015	X	X
520	32	X	020	X	X

Type	Frame size	Graduation number	Length meter	Measurement commencement	Tape commencement
520	33	X	025	X	X
520	34	X	030	X	X
520	34	X	050	X	X

Type	Frame size	Graduation number	Length meter	Measurement commencement	Tape commencement
520	21	X	010	X	X
520	22	X	015	X	X
520	22	X	020	X	X
520	23	X	025	X	X
520	23	X	030	X	X

Type	Frame size	Graduation number	Length meter	Measurement commencement	Tape commencement
520	00	X	010	X	X
520	00	X	015	X	X
520	00	X	020	X	X
520	00	X	025	X	X
520	00	X	030	X	X
520	00	X	050	X	X
520	00	X	100	X	X

BASIC

Size 1/2



Size 3/4



RADIUS case

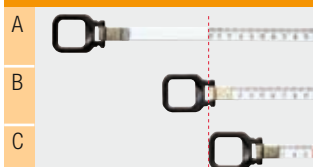


Replacement tapes

Graduations

1	(cm)	
2	(cm/cm) 25 % surcharge	
3	(cm/inch) 25 % surcharge	

Measurement commencements



Tape commencements (optional)



Please choose numbers and capital letters of desired tape features and transfer them to your Article N°.

Order survey tape quality

High etched 13 mm

Tank dipping tapes according to IPM specification
High etched measuring tape



This is how your Article N°. could look like:

312 11 4 010 L 31

according to IPM specification



Type	Frame size	Graduation number	Length meter	Measurement commencement	Tape commencement
312	11	4	010	L	31
312	11	4	020	L	31
312	11	4	030	L	31
312	11	4	050	L	31

including weight 31, please see p.13 for description, mm graduation

Order survey tape quality

White enamelled, 10 mm

White enamelled measuring tape,
printed graduation



This is how your Article N°. could look like:

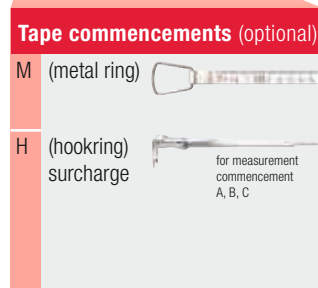
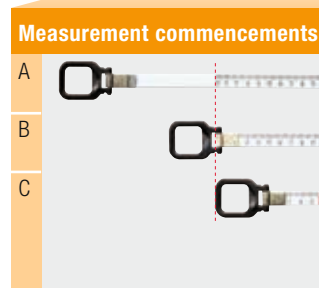
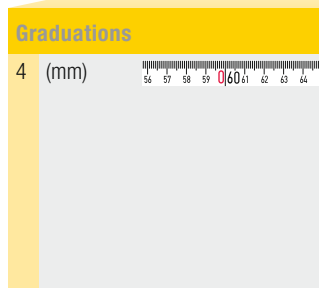
303 17 4 010 A M

555 case series

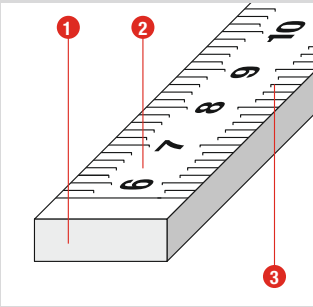


Type	Kapselgröße	Graduation number	Length meter	Measurement commencement	Tape commencement
303	17	4	010	X	X
303	17	4	020	X	X
303	17	4	030	X	X

Please choose numbers and capital letters of desired tape features and transfer them to your Article N°.

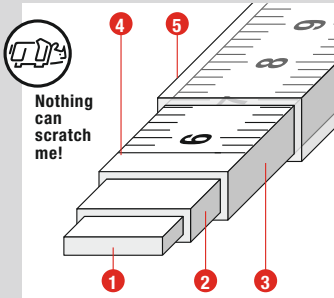
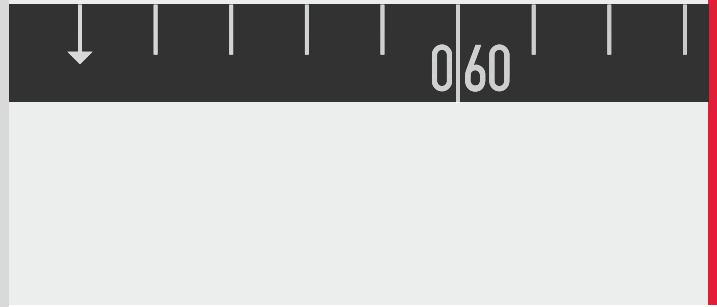


for measurement commencement A, B, C



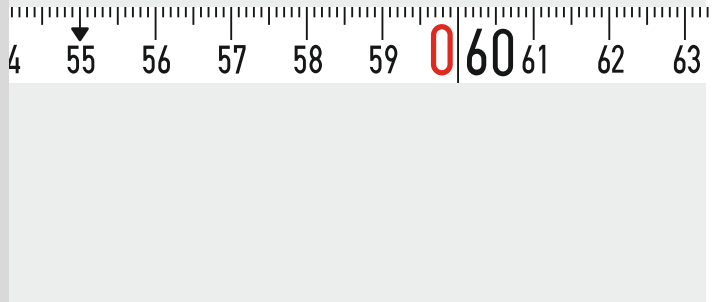
Tape structures

- 1 Strain-hardened spring blade made of stainless chrome steel
- 2 Lowered, etched surface
- 3 Raised, polished graduation



Tape structures

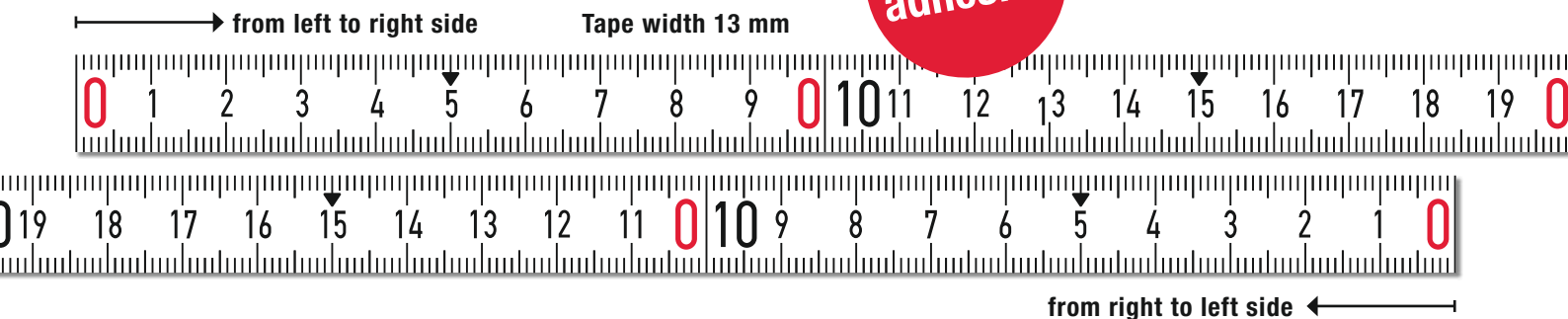
- 1 Tempered spring blade made of carbon steel C 75
- 2 Anticorrosive phosphate layer
- 3 White synthetic resin, stoved
- 4 Printed graduation with red metre digits
- 5 Clear varnish against wear, stoved



Custom made measuring tapes

White enamelled measuring tape,
printed graduation

self-
adhesive



Custom made measuring tapes

For example self adhesive tapes with graduation from right to left side

We are pleased to produce custom made measuring tapes for you.
Please contact us!

Article N°.	Length in m	Graduation
white-enamelled, from left to right		
357 00 4 001 LNR	1 m	mm/-
357 00 4 002 LNR	2 m	mm/-
357 00 4 005 LNR	5 m	mm/-
357 00 4 010 LNR	10 m	mm/-
white-enamelled, from left to right, self-adhesive		
357 00 4 001 LNR-SK	1 m	mm/-
357 00 4 002 LNR-SK	2 m	mm/-
357 00 4 005 LNR-SK	5 m	mm/-
357 00 4 010 LNR-SK	10 m	mm/-
white-enamelled, from right to left		
357 00 4 001 RNL	1 m	mm/-
357 00 4 002 RNL	2 m	mm/-
357 00 4 005 RNL	5 m	mm/-
357 00 4 010 RNL	10 m	mm/-
white-enamelled, from right to left, self-adhesive		
357 00 4 001 RNL-SK	1 m	mm/-
357 00 4 002 RNL-SK	2 m	mm/-
357 00 4 005 RNL-SK	5 m	mm/-
357 00 4 010 RNL-SK	10 m	mm/-
white-enamelled, 0-point centered		
357 00 4 001-OM	1 m	mm/-
357 00 4 002-OM	2 m	mm/-
357 00 4 003-OM	3 m	mm/-
357 00 4 005-OM	5 m	mm/-
white-enamelled, 0-point centered self-adhesive		
357 00 4 001-OM-SK	1 m	mm/-
357 00 4 002-OM-SK	2 m	mm/-
357 00 4 003-OM-SK	3 m	mm/-
357 00 4 005-OM-SK	5 m	mm/-

Article N°.	Length in m	Graduation
polyamide-coated, ISOLAN, from left to right		
357 07 4 001 LNR	1 m	mm/-
357 07 4 002 LNR	2 m	mm/-
357 07 4 005 LNR	5 m	mm/-
357 07 4 010 LNR	10 m	mm/-
polyamide-coated, ISOLAN, from left to right, self-adhesive		
357 07 4 001 LNR-SK	1 m	mm/-
357 07 4 002 LNR-SK	2 m	mm/-
357 07 4 005 LNR-SK	5 m	mm/-
357 07 4 010 LNR-SK	10 m	mm/-



End fittings

Metal sliding tip, nickel-plated, adjustable for both end-on and hook-on measurements

Internal measuring

With the IN-OUT, VISO, X 4, TOP and TOP-M models the internal measurement can conveniently be read directly from the top sight window. For other models the case length is to be added.



Pocket Tapes

Pocket tapes manufactured by BMI are versatile with regard to their use as their users' demands are diverse.

Longitudinal, internal measuring, radii, mm/mm graduation mm/inch graduation, individual case designs and much more.

There is almost no limit to your imagination. Owing to the fact that these pocket tapes are manufactured in our own works there are many design options, even for small quantities.

Our main focus is of course on precise measuring, perfect handling and long working life.

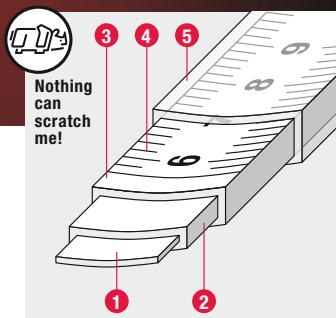
ADVANTAGES

- Durability in rough work environment through rust protection of the tapes (phosphate ground coating)



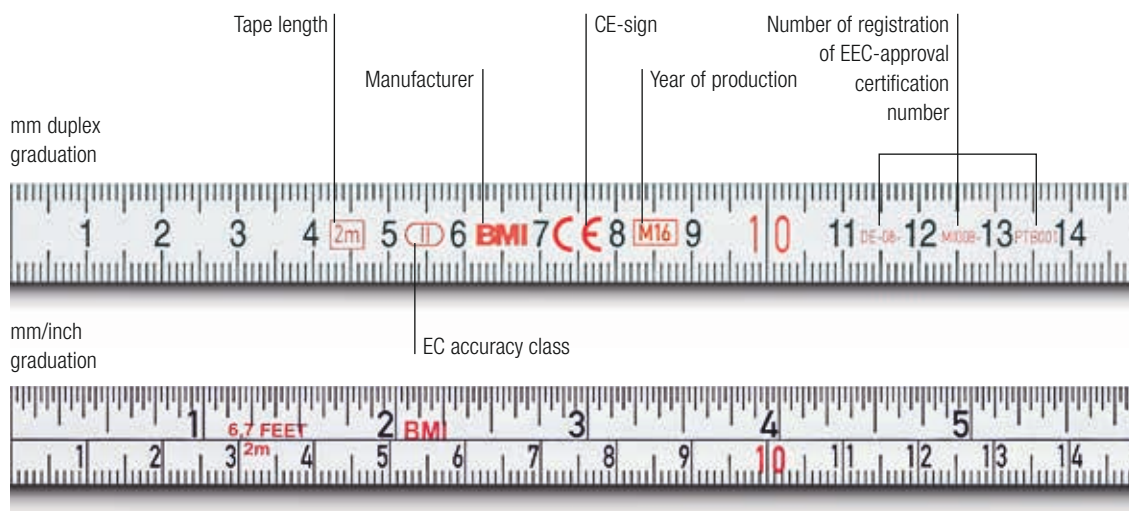
- BMI pocket tapes have a transparent coating as wearing protection, 10 times stronger than any other non-abrasive coatings!
- Long working life of the return lock spring owing to a special spring band steel
- Sophisticated interior: inserted winding coils or distance washers ensure perfectly smooth running
- Robust high-impact ABS or polyamide case
- Tapes with mm-graduation EEC pattern approved, suitable for calibration
- Accuracy acc. to EC class II
 $2\text{ m} \pm 0,7\text{ mm}$
 $3\text{ m} \pm 0,9\text{ mm}$
 $5\text{ m} \pm 1,3\text{ mm}$
 $8\text{ m} \pm 1,9\text{ mm}$

You will recognize high-quality measuring tapes by these imprints:



Tape structure

- 1 Concaved, tempered spring blade steel of high stability
- 2 Anticorrosive phosphate coating
- 3 Synthetic resin, stoved
- 4 Printed graduation with red meter figures
- 5 Clear varnish to protect against wear, stoved



Pocket Tapes

411 VARIO Standard

A tremendously light and handy pocket tape specially designed for the professional application. The case is made out of high-impact ABS plastic encases the innovative interior and redefines the pocket tape in its product category. Accuracy according to EC class II.

Length 2, 3, 3,5, 5, 8 meter.
 Graduation mm or mm/inch.
 White enamelled steel with black graduation.
 Case dimension::
 2, 3, 3,5 m: 58 x 57 x 26 mm
 5 m: 75 x 70 x 26 mm
 8 m: 78 x 77 x 32 mm



Length	2 m	2 m/79"	3 m	3 m/122"	3,5 m	3,5 m/138"	5 m	5 m/197"	8 m
Graduation	mm	mm/inch	mm	mm/inch	mm	mm/inch	mm	mm/inch	mm
Width	13 mm	13 mm	13 mm	13 mm	13 mm	13 mm	16 mm	16 mm	19 mm
Article N°.	411 241	411 251	411 341	411 351	411 3,5	411 3,5Z	411 541	411 551	411 841

411 VARIO Stainless

Stainless tape version for particular applications. The tape as well as the internal spring and the hook are fully stainless. All other features do comply with the VARIO Standard. Stainless steel with black graduation. Accuracy according to EC class II.



Length	2 m	2 m/79"	3 m	3 m/122"	5 m	5 m/197"	8 m
Graduation	mm	mm/inch	mm	mm/inch	mm	mm/inch	mm
Width	13 mm	13 mm	13 mm	13 mm	16 mm	16 mm	19 mm
Article N°.	411 243	411 253	411 343	411 353	411 543	411 553	411 853

**411 VARIO EC I
High Precision**

High precision measurement in EC class I. High end manufacturing technique ensures the highest possible accuracy for your measurements. All other features do comply with the VARIO Standard.

Permissible tolerance on the complete length:

- 2 m ± 0,4 mm
- 3 m ± 0,5 mm
- 5 m ± 0,7 mm
- 8 m ± 1,0 mm



Length	2 m	3 m	5 m	8 m
Graduation	mm	mm	mm	mm
Width	13 mm	13 mm	16 mm	19 mm
Article N°.	411 2418	411 3418	411 5418	411 8418



exclusive advantages provided only by BMI!



Lightness
25 % less volume, 5 % less weight – the ideal pocket tape for the professional usage.



Recoil-free
Special curved T-formed damper made out of rubber absorbs the recoil energy. Even the intensive blade return of the 8 m tape will be comfortable for your wrist.



Tremendously smooth
The arbor and the outlet are manufactured out of liquid-bearing technology material TRIBOCOMP® with Teflon which provides a tremendously smooth slide and an extraordinary easy roll in of the tape.



Hook-Airbag
The high outlet of the tape protects the stainless steel hook from damage and deformation upon impact.



Effortless locking
Particularly handy and smooth press button for a safe locking of the tape. A light press with the finger is sufficient. The "fixed press" is longer necessary.



Belt-friendly
Belt clip made out of smooth stainless steel wire without any sharp edges. You can easily and quickly attach your VARIO to your belt.



Scratch me if you can!
The clear varnish protects the tape against wear. The white enamelled tapes are anti-glare, this will protect your eyes and wallet at the same time.



Pocket Tapes

404 IN-OUT

Pocket tape with top sight window for internal measuring (see page 30). The graduation in the window is not displayed upside down (no reading errors possible). Blade lock. Polyamide case. Free-running blade in push-pull execution.

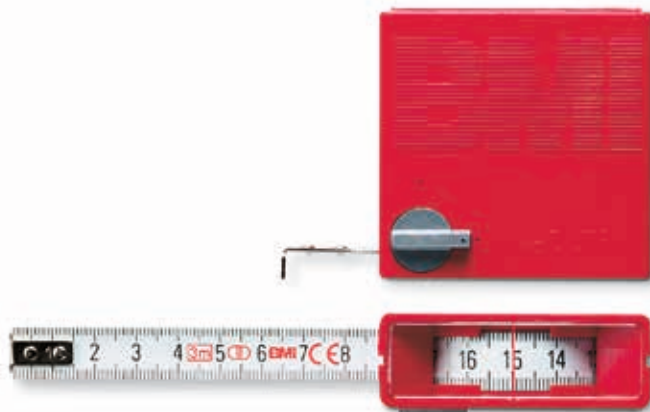
Lengths 2+3 m with mm- or mm/inch-graduations.

Blade width 13mm.

Case dimensions:

2 m: 52 x 55 x 21 mm

3 m: 60 x 60 x 21 mm



Length	2 m	2 m/79"	3 m	3 m/122"
Graduation	mm	mm/inch	mm	mm/inch
Width	13 mm	13 mm	13 mm	13 mm
Article N°.	404 241	404 251	404 341	404 351

405 VISO

The special measuring tape with 3 functions

1. Longitudinal measuring
2. Internal measuring (see page 30)
3. Circles

The graduation in the window is not displayed upside down (no reading errors possible). Blade lock. Polyamide case. Free-running blade in push-pull execution.

Lengths 3 m with mm- or mm/inch-graduations.

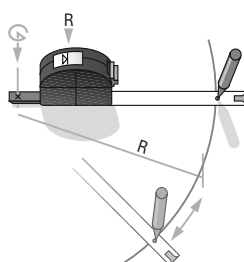
Blade width 16 mm.

Case dimensions:

65 x 65 x 25 mm



Length	3 m	3 m/122"	Rostfrei	Rostfrei
Graduation	mm	mm/inch	mm/inch	mm
Width	16 mm	16 mm	16 mm	16 mm
Article N°.	405 341	405 351	405 35 3030	405 34 3030

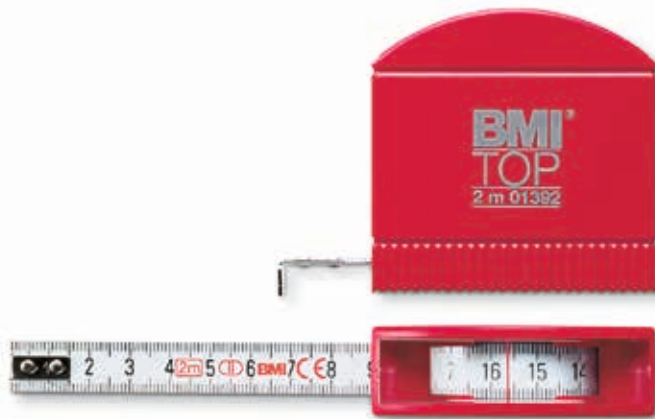


The steel stylus integrated in the swing-out arm allows 6 m radii to be drawn.

407 TOP / 406 TOP-M

Internal measuring tape (see page 30) without lock. Top sight window with magnifying effect. The graduation in the window is not displayed upside down (no reading errors possible). Polyamide case. Free-running blade in push-pull execution. Lengths 3 m with mm- or mm/inch-graduations. Blade width 13 mm. Case dimensions: 65 x 65 x 21 mm

406 TOP-M:
with steel base



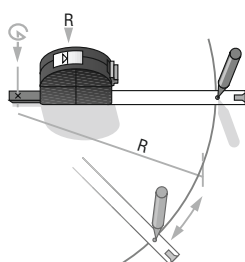
406 TOP-M: with steel base

Length	2 m	2 m/79"	3 m	3 m/122"	2 m	2 m/79"	3 m	3 m/122"
Graduation	mm	mm/inch	mm	mm/inch	mm	mm/inch	mm/inch	mm/inch
Width	13 mm	13 mm	13 mm	13 mm	13 mm	13 mm	13 mm	13 mm
Article N°.	407 241	407 251	407 341	407 351	406 241	406 251	406 341	406 351

408 X4

The most versatile tape with 4 functions:
 1. Longitudinal measuring
 2. Internal measuring (see page 30)
 3. Radii drawing
 4. Level
 The graduation in the window is not displayed upside down (no reading errors possible). Blade lock. Polyamide case. Free-running blade in push-pull execution. Lengths 3 m with mm- or mm/inch-graduations. Blade width 13 mm. Case dimensions: 60 x 80 x 20 mm

The steel stylus integrated in the swing-out arm allows 6 m radii to be drawn.



Length	3 m	3 m/122"
Graduation	mm	mm/inch
Width	13 mm	13 mm
Article N°.	408 341	408 351

Pocket Tapes

490 MET

The pocket tape with heat-resistant zinc die-cast case with chrome finish.

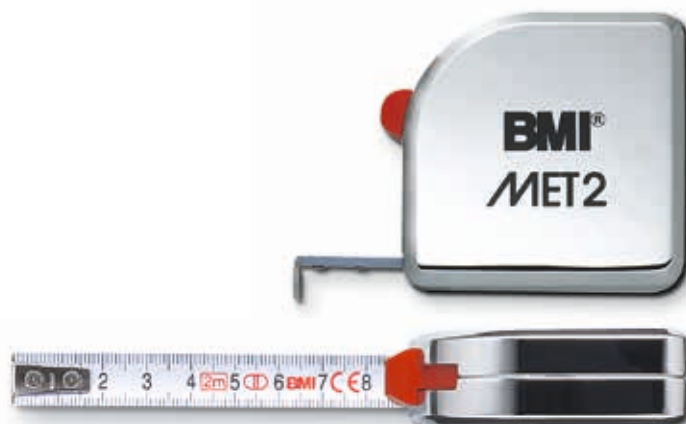
Automatic, lock-operated blade return.

Lengths 2 + 3 m with mm- or mm/inch-graduations.

Blade width 13 mm.

Case dimensions:

60 x 58 x 19 mm



Length	2 m	2 m/79"	3 m	3 m/120"
Graduation	mm	mm/inch	mm	mm/inch
Width	13 mm	13 mm	13 mm	13 mm
Article N°.	490 241	490 251	490 341	490 351

474 chrom

Pocket tape with robust tape operating mechanism. Chrome plated, high impact ABS plastic case.

Automatic blade return.

Blade lock. Belt clip.

Lengths 2, 3, 5, 8 and 10 m in both mm or mm/inch graduation available. Other lengths on demand.

Blade width:

2+3 m: 13 mm

5 m: 19 mm und 25 mm

8 m: 25 mm

10 m: 25 mm

Case dimensions:

2+3 m: 65 x 60 x 27 mm

5 m: 19 mm Blade width

75 x 66 x 37 mm

5 m: 25 mm Blade width

75 x 66 x 45 mm

8 m: 84 x 75 x 45 mm

10 m: 88 x 80 x 45 mm



Display chrom

Article N°. 474 041 261-VK

Contents: 8 pcs. 3 m,
7 pcs. 5 m, 6 pcs. 8 m

Length	2 m	3 m	5 m	5 m/25 mm	8 m	10 m
Graduation	mm	mm	mm	mm	mm	mm
Width	13 mm	13 mm	19 mm	25 mm	25 mm	25 mm
Article N°.	474 241	474 341	474 541	474 541/25	474 841	474 041

472 twoComp

Pocket tape with robust tape operating mechanism.
 High-impact ABS plastic case.
 Automatic blade return.
 Blade lock. Belt clip.
 Lengths 2, 3, 5 and 8 m with mm- or mm/inch-graduations.

Blade width:

- 2+3 m: 16 mm
- 5 m: 19 mm
- 8 m: 25 mm
- 10 m: 30 mm

Case dimensions:

- 2 m: 60 x 60 x 32 mm
- 3 m: 60 x 60 x 32 mm
- 5 m: 19 mm Blade width
70 x 70 x 36 mm
- 8 m: 80 x 80 x 45 mm
- 10 m: 88 x 88 x 45 mm



Display twoCOMP

Article N°. 472 041 061-VK

Contents: 8 pcs. 3 m,
7 pcs. 5 m, 6 pcs. 8 m



Length	2 m	3 m	5 m	8 m	10 m
Graduation	mm	mm	mm	mm	mm
Width	16 mm	16 mm	19 mm	25 mm	30 mm
Article N°.	472 241	472 341	472 541	472 841	472 041
Article N°.	472 241M	472 341M	472 541M	472 841M	472 041M
Magnet Version					

Pocket Tapes

PICO – Rule and level all in one tool

Perfect measuring tool, as horizontal/vertical measurements are mainly combined with lengths measurements.

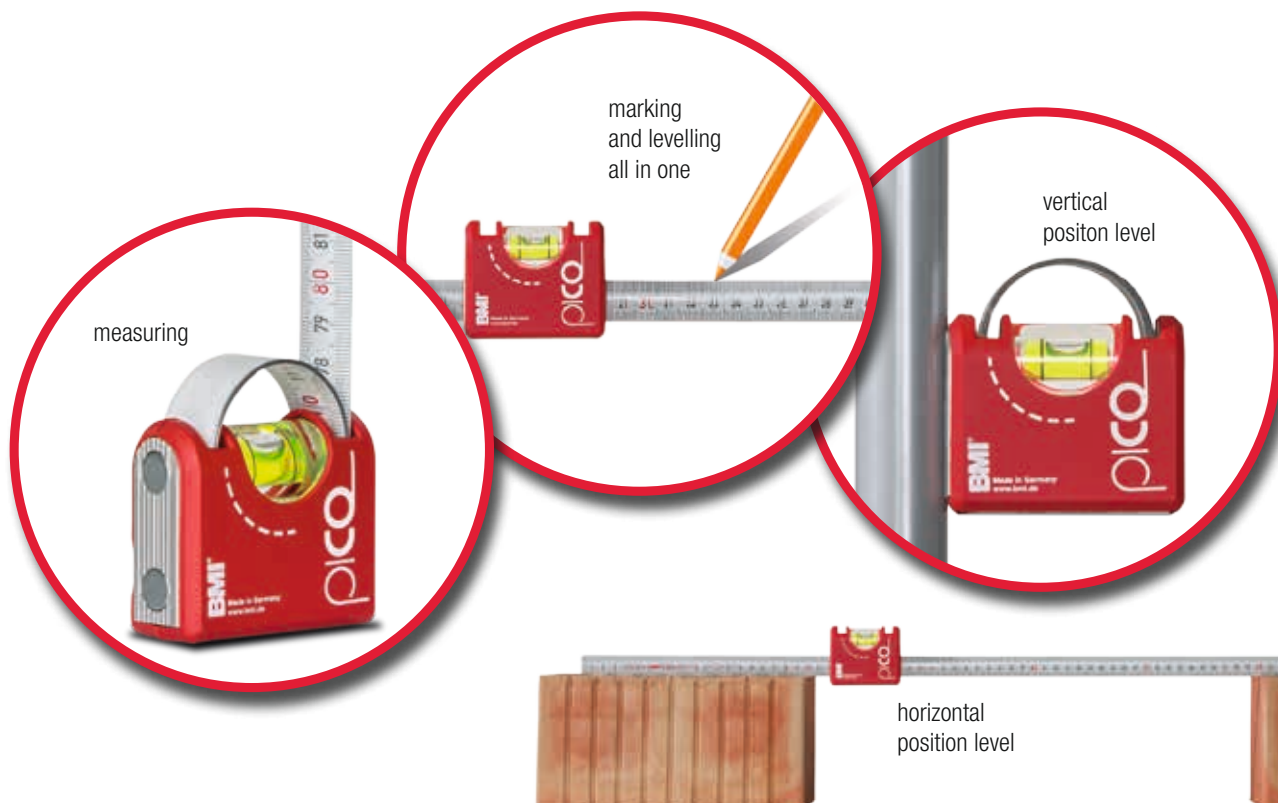
Advantages:

- The tape can be fixed elongated in the case for the measurements
- The tape can be kept compact and safe in the level case
- Stainless steel tape
- Perfect reading by convex arch
- Total waterproof!
- Accuracy of the tape: EC class II
- Accuracy of the level: 1,0 mm/m
- Made in Germany

Case dimension
62 x 25 x 52 mm
Weight app. 75 g



Length	1 m	1 m with magnet
Graduation	mm	mm
Width	19 mm	19 mm
Article N°.	426 100 4 1030	426 100 4 1030 M



Both tape and ruler in one!

The new **BMI**meter with tape stop and belt clip



BMI

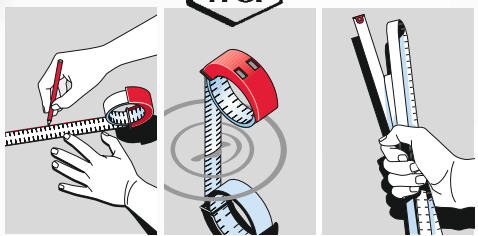


... rolls out on its own!



tape stop for easiest use and complete control

NEW The belt clip



can be perfectly used as a ruler waterproof, stainless unbreakable

The BMI-Quicky, sold by hundreds of thousands, has been further developed and is now called **BMI**meter.

Fascination:

Due to a special treatment of the refined steel the tape unrolls on its own!

Benefits:

- stainless refined steel tape, white-enamelled
- totally waterproof
- unbreakable, durable
- accurate according to EC class II ($\pm 0,9$ mm/2 m – a wooden ruler is 2,2 mm/ 2 m)
- compact, light and handy
- perfect for use as a ruler
- tape lies flatly on a table, allowing precise markings and easy transfer of measurements
- world first!
- **Made in Germany!**

The main changes:

- **BMI**meter has a tape stop!
- **BMI**meter is available in 2 m and 3 m!

This measuring tool fascinates and his benefits are unbeatable.

Length	2 m	2 m/79"	3 m	3 m/118"
Graduation	mm	mm/inch	mm	mm/inch
Width	16 mm	16 mm	16 mm	16 mm
Article N°.	429 24 1021	429 25 1021	429 34 1021	429 35 1021



Display BMImeter 2 meter
Article N°. 429 2410 61-VK

Contents: 30 pcs.

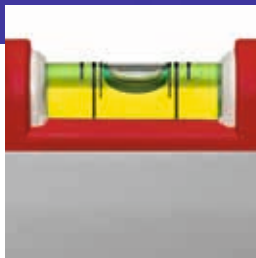
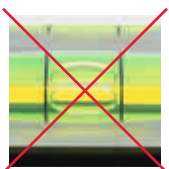




These BMI advantages are your benefit:



Vial with magnifying effect. No more double-bubble trouble!



2 % slope/fall lines and precision reading markings



Top-end vial



Shock-absorbing rubber end-caps

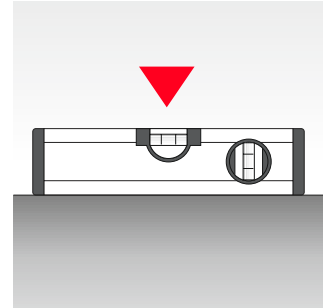


Unique, sturdy 4-chamber profile

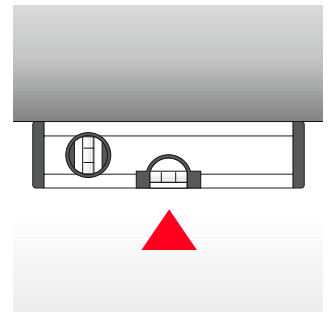
Spirit Levels

Applications for spirit levels

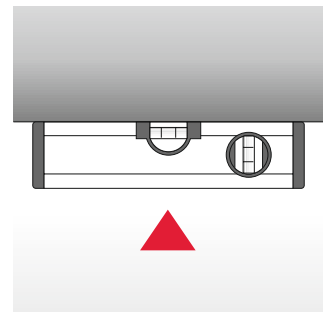
Horizontal **normal position**



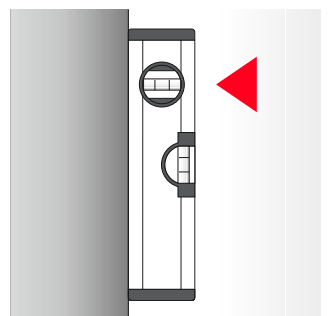
Horizontal **inverted position**
(over-head measuring)



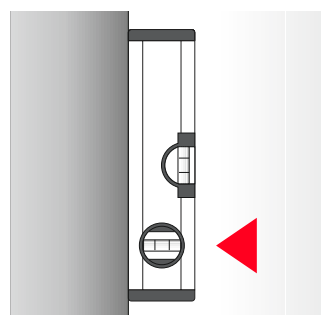
Horizontal **over-head measuring**
(only for BMI-EUROSTAR and BMI-ROBUST)



Vertical **normal position**



Vertical **inverted position**



ADVANTAGES

- Selected high quality materials.
- Worldwide patented manufacturing processes.
- High measuring accuracy up to 0,5 mm/m in normal and inverted position.
- Up to 30 years BMI guarantee for the durability of the vials.

This means safety for your work.

Aluminium Profiles

Types of Vials

Mounting of the Vial

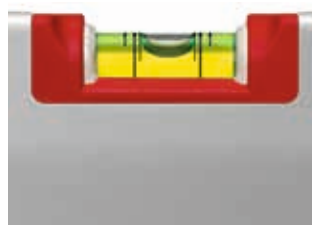
Thickness of wall $\pm 10\%$ due to technical reasons



Box section 22 x 50 mm, wall strength 1,5 mm, is used for the **690 type series** up to a length of 200 cm.



Thick-walled, sturdy vial, made of plexiglass, used in the horizontal vials of the 662, 665, 666 and 689 type series.



Break- and shock-proof tube vial with magnifying effect of the 690 type series, extremely good viewing, 2 % slope markings.



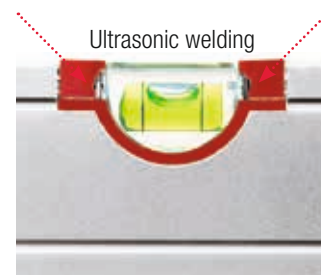
Box section 22 x 50 mm, wall strength 1,6 mm, is used for the **691 type series** up to a length of 120 cm. The lengths 150, 180 and 200 cm have a wall strength of 2,2 mm.



Thick-walled, sturdy vial, made of plexiglass, with magnifying effect, extremely good viewing, used as vertical and horizontal vial in the 692 type series and as horizontal vial in the 691, 695, 698 and 699 series.



Thick-walled, sturdy block vial, made of plexiglass, used as vertical vial in the 662, 665, 666, 691, 698 and 699 series.



For all spirit levels (except the 690 type) made of aluminium profile up to a length of 120 cm the vials are electronically adjusted and fixed in the body by means of ultrasonic welding.



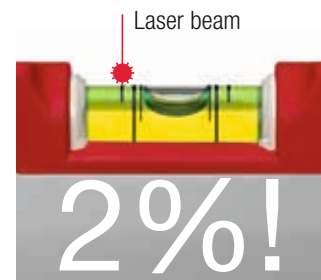
Box section 22 x 50 mm, wall strength 1,8 mm, is used for the **692 and 699 type series** up to a length of 120 cm. The lengths 150, 180, 200 and 240 cm have a wall strength of 2,3 mm

Angle of Inclination

The picture shows a rotating vial of the 691 W and 691 WM and the SUPERTORPEDO type for an easy transfer of inclinations and angles.



Strong 4-chamber aluminium profile box section 60 x 26 mm, wall strength 2 mm, extremely flexible and torsion-proof, used in the **698 type series**.



The 690 EUROSTAR is at first completely mounted. At this stage, the vials don't have any marking rings. In the final stage, a computer measures the position of the vial and controls a laser which applies marking rings to the vial on either side of the bubble in precisely equal distances.

This process has been patented for BMI nationally and internationally.



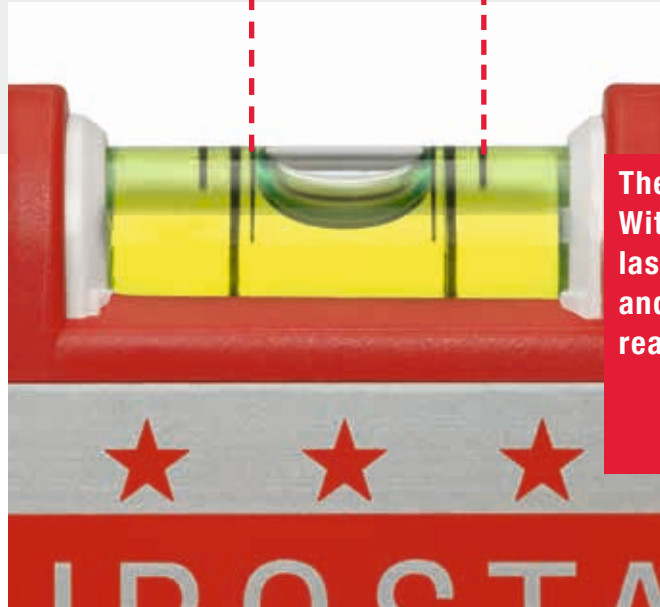
Extremely sturdy 4-chamber aluminium profile, box section 75 x 26 mm, wall strength 2.0 mm, used in the **695 type series** (even more torsion resistant than the 698).

	Eurostar 690	Alustar 691	Ultrasonic 692	Superstar 699	Robust 698	HighPrecision 695	Die-Cast level 665	Teakwood level 661
measuring accuracy in normal position mm/m	0,5	0,5	0,5	0,5	0,5	0,3	1,0	1,0
measuring accuracy in inverted position mm/m	–	0,75	0,5	0,5	0,5	–	–	–
milled measuring surface	–	–	–	✓	2 milled measuring surface ✓	✓	✓	–
horizontal vial with magnifying effect / no “No double”	✓	✓	✓	✓	✓	✓	–	–
number of vials	2	2	2	2	3	2	2	2
profile weight per meter	550 g/m	up to 120 cm 550 g/m from 120 cm 840 g/m	640 g/m	up to 120 cm 680 g/m from 120 cm 840 g/m	1060 g/m	1340 g/m	–	–
handhole	–	–	–	–	✓	✓	✓	–
also available as magnetic version	✓	✓	✓	✓	✓	✓	–	–
non-conductive	–	–	–	–	–	–	–	–
special features and benefits	2 % slope/fall and precision reading		with top-end vial		sturdy 4-chamber profile	sturdy 4-chamber profile, vials with high sensivity		
recommendations for use	builders, heating installers, plumbers, landscapers	general handicraft, dry wall construction	general handicraft, dry wall construction	general handicraft, dry wall construction	builders, prefab construction, carpentry	window and door fitting, carpentry, steel construction	builders	plumbers, road construction
Made in Germany	✓	✓	✓	✓	✓	✓	✓	✓

EUROSTAR

BMI

precision reading | 2 % slope/fall line



The original!
With patented
laser-marked vials
and reflection-free
readability!



No more
double-bubble trouble!

690 E



690 EM

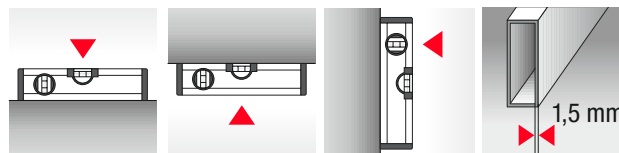
also available in magnetic



690 ES



- 2 % slope markings on horizontal vial.
- additional precision reading markings on all vials.
- Laser-marked vials provide measuring accuracy of 0,5 mm/m for a lifetime..
- Tube vial offers easy readability.
- Strong walls for longer life.



Length in cm	30	40	50	60	80	90	100	120	150	180	200
Article N°.	690 030 E	690 040 E	690 050 E	690 060 E	690 080 E	690 090 E	690 100 E	690 120 E	690 150 E	690 180 E	690 200 E
Article N°.		690 040 EM	690 050 EM	690 060 EM	690 080 EM	690 090 EM	690 100 EM	690 120 EM	690 150 EM	690 180 EM	690 200 EM
Article N°.		690 040 ES		690 060 ES	690 080 ES		690 100 ES	690 120 ES			

ALUSTAR

BMI



The original!
With ultrasonic-welded vials (BMI patent) and reflection-free readability!



No more double-bubble trouble!

691



691 M

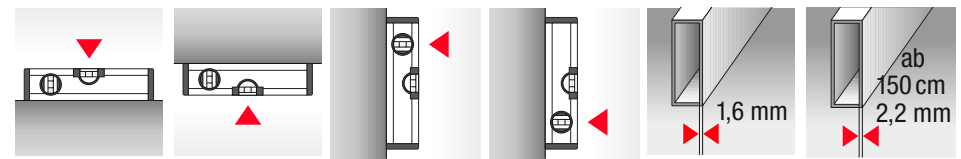
also available in magnetic



691 S



- The original BMI domed round horizontal vial with magnifying effect provides unsurpassed readability, also for inverted measurement.
- Strong walls and shock-absorbing rubber end-caps.
- Highest accuracy for life (0,5 mm/m) due to ultrasonic-welded vials.
- Highly accurate inverted measurement (0,75 mm/m).



Length in cm	20	30	40	50	60	80	90	100	120	150	180	200
Article N°.	691 020	691 030	691 040	691 050	691 060	691 080	691 090	691 100	691 120	691 150	691 180	691 200
Article N°.			691 040 M	691 050 M	691 060 M	691 080 M		691 100 M	691 120 M	691 150 MS	691 180 MS	691 200 MS
Article N°.			691 040 S	691 050 S	691 060 S	691 080 S	691 090 S	691 100 S	691 120 S	691 150 S	691 180 S	691 200 S

ALUSTAR

BMI



**The original!
With ultrasonic-
welded vials and
reflection-free
readability!**



**No more
double-bubble trouble!**

691 W



691 WM

also available in magnetic



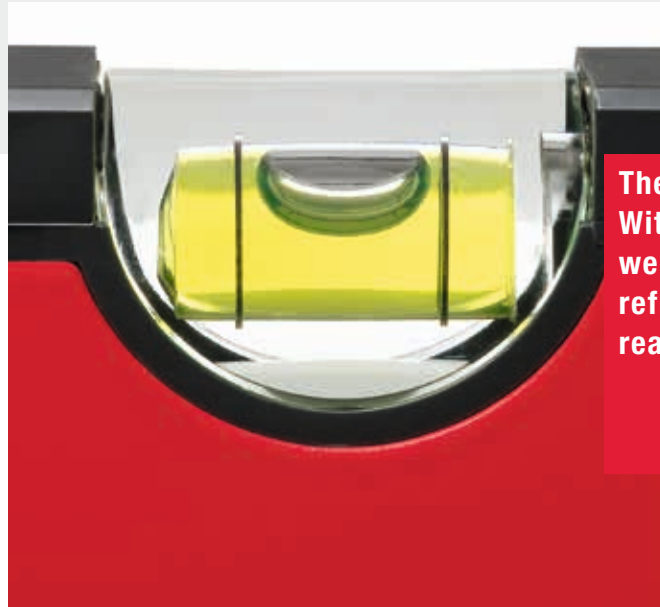
Inclination

This picture shows rotatable vial of types 691W and 691WM for easy transfer of inclinations and angles.



Length in cm	40	60	80	100
Article N°.	691 040 W	691 060 W	691 080 W	691 100 W
Article N°.	691 040 WM	691 060 WM	691 080 WM	691 100 WM

SUPERSTAR



The original!
With ultrasonic-
welded vials and
reflection-free
readability!



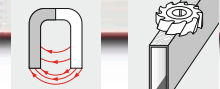
No more
double-bubble trouble!

699 A



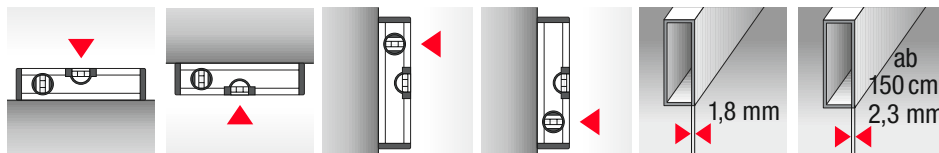
699 M

also available in magnetic



to 200 cm

- The original BMI domed round horizontal vial with magnifying effect provides unsurpassed readability, also for inverted measurement.
- Strong walls and shock-absorbing rubber end-caps preserve high measuring accuracy.
- Highest accuracy for life (0,5 mm/m) due to ultrasonic-welded vials.
- Milled measuring surface.
- Highest accuracy also for inverted measurement (0,5 mm/m).



*starting from 150 cm the Superstar Spirit level is furnished with a second vertical vial

Length in cm	30	40	50	60	80	90	100	120	150*	180*	200*
Article N°.	699 030 A	699 040 A	699 050 A	699 060 A	699 080 A	699 090 A	699 100 A	699 120 A	699 150 AS	699 180 AS	699 200 AS
Article N°.		699 040 M	699 050 M	699 060 M	699 080 M		699 100 M	699 120 M	699 150 MS	699 180 MS	699 200 MS

ROBUST

NEW

also available
in magnetic

BMI



The original!
With ultrasonic-
welded vials and
reflection-free
readability!

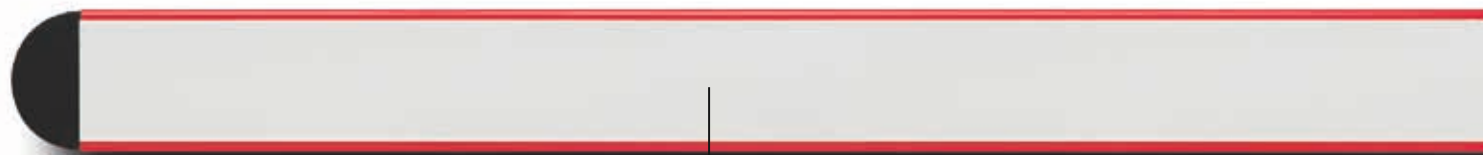


No more
double-bubble trouble!

Thick shock-absorbing rubber end-caps

also available in magnetic

698



Milled measuring surfaces up to 200 cm

698 D



Also available with practical handholds

Weight of profile 1060 g/meter



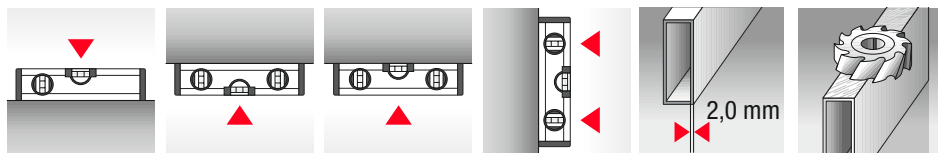
- Unique, extremely torsion-resistant 4-chamber profile (60 x 26 mm cross-cut).
- The original BMI domed round vial with magnifying effect provides unsurpassed readability, also for inverted measurement.
- Highest accuracy for life (0,5 mm/m) due to ultrasonic-welded vials.
- Especially thick shock-absorbing rubber end-caps preserve high measuring accuracy – for life.
- Two milled measuring surfaces.
- Highest accuracy also for inverted measurement (0,5 mm/m).

4-chamber profile – one of the most stable profile in the market

Unsurpassed readability through round vials



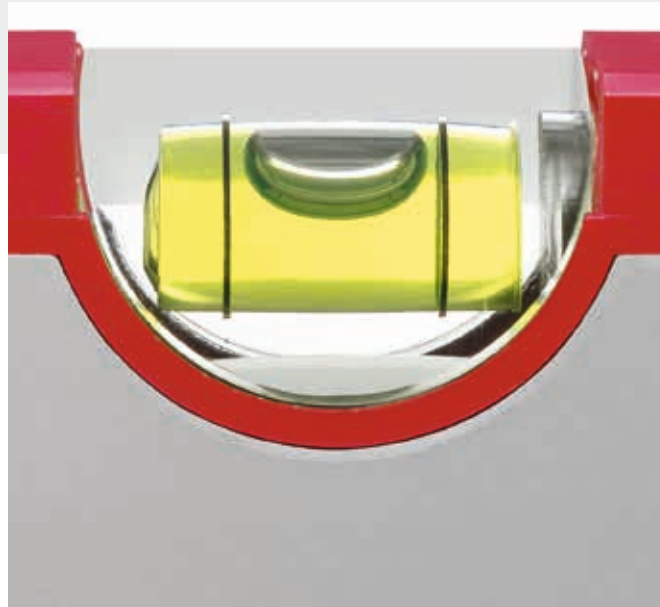
available in lengths of up to 240 cm



Length in cm	40	50	60	80	90	100	120	150	180	200	240
Article N°.	698 040	698 050	698 060	698 080	698 090	698 100	698 120	698 150	698 180	698 200	698 240 H
Article N°.			698 060 D	698 080 D	698 090 D	698 100 D	698 120 D	698 150 D	698 180 D	698 200 D	698 240 DH
Article N°.	698 040 M		698 060 M	698 080 M		698 100 M	698 120 M		698 180 M	698 200 M	

HIGHPRECISION

BMI



HIGH-
PRECISION
in Action:
www.bmi.de



695 ED R1000



ordinary level

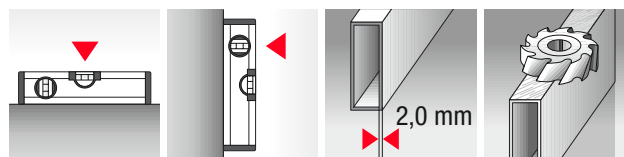
HIGHPRECISION



Work **5x**
more
precisely

- Its vial bubbles move 5x faster than those of ordinary levels. Therefore inaccuracies can be recognized much sooner – and much better.
- BMI rounded vial with magnifying effect for reflection-free easy readability.
- Highest accuracy of 0,3mm/m in normal position.
- BMI 4-chamber profile, the strongest profile on the market.
- Effective additional protection through thick shock-absorbing rubber end-caps.

For length 60 cm to 120 cm BMI-HighPrecision level is provided with one handhold. For length 180 cm and 200 cm with two practical handholds.



Profile Dimension
76 x 26 mm

Length in cm	060	080	100	120	180	200
Article N°.	695 060 ED - R1000	695 080 ED - R1000	695 100 ED - R1000	695 120 ED - R1000	695 180 ED - R1000	695 200 ED - R1000

Special Spirit Levels

ULTRASONIC



- length 25 cm
- vertical headvial
- turnable anglevial
- 2 % slope marking in the horizontal vial
- magnetic
- accuracy 0,5 mm/m

Article N°. 692 025 TWM



Optimal reading by vertical head vial!

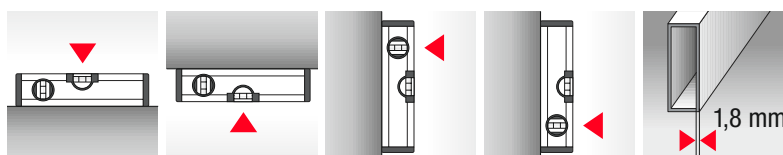
- length 20 cm
- vertical headvial
- horizontal vial with magnifying effect
- magnetic
- accuracy 0,5mm/m also for inverted measurement

Length 20 cm

Article N°. 692 020 M

With practical beltbag

Article N°. 692 020 M-TA



Torpedo-Spirit Level



- Length 25 cm
- Alu die-cast model
- milled surface
- magnetic
- Accuracy 0,5 mm/m

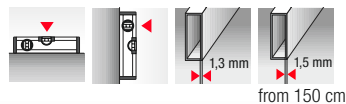
Article N°. 689 025 TM

Article N°. 689 025 TM-TA

(With practical beltbag)

Construct and wooden spirit level

689 Construct



The entry-level model for price-conscious users. Robust, smooth aluminium profile, yellow powder coating. Measuring accuracy in normal position 1 mm/m.

Length in cm	30	40	50	60	80	100	120	150	180	200
Article N°.	689 030 CON	689 040 CON	689 050 CON	689 060 CON	689 080 CON	689 100 CON	689 120 CON	689 150 CON	689 180 CON	689 200 CON

661

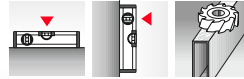


Spirit level made from hardwood for use on sensitive surfaces, made of regrowing Plantation wood. Oiled. Measuring accuracy in normal position 1,0 mm/m.

Length in cm	30	40	50	60	80	100
Article N°.	661 030	661 040	661 050	661 060	661 080	661 100

Alu die-cast levels

666



Heavy-weight, trapezoid-shaped aluminium die-cast level with milled measuring surface. Red powder-coated level body. Very high torsion-resistance. Measuring accuracy in normal position 1,0 mm/m.

Length in cm	40	60	80
Article N°.	666 040	666 060	666 080

665S / 665



Heavy-weight aluminium die-cast level with two milled measuring surfaces. Red powder-coated frame. Very high torsion-resistance. Grip holes for easy handling. Also available with 2 vials as model 665S. Measuring accuracy in normal position 1,0 mm/m.

Length in cm	60	80
Article N°.	665 060	
Article N°.	665 060 S	665 080 S

Version S:
with 2 vials

689R



Aluminium die-cast level, milled on all sides, red powder coated. Extremely torsion resistant. Handholds for easier handling. Accuracy in normal position 0,75 mm/m.

Length in cm	40	50	60	80
Article N°.	689 040R-S/45°	689 050R-S/45°	689 060R-S/45°	689 080R-S/45°

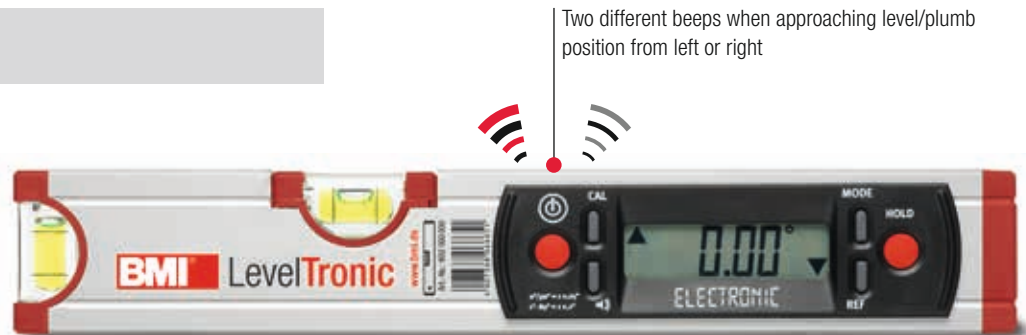
Electronic Levels

604 LEVELTRONIC

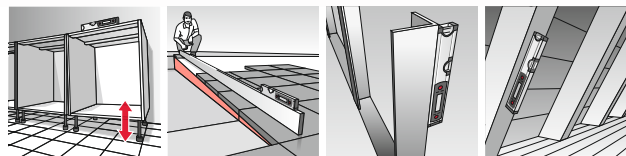
Digital display, automatically turning around when working overhead; "Hold"-button to store a measured value; any angle can be taken as reference angle (set as zero point), two different beeps when approaching.

Accuracy:

- Vials: normal position 0,5 mm/m, inverted 0,75 mm/m
 - Battery: 2 x AAA, 1,5 V, Micro
 - Electronic inclination module: 0° and 90° : 0,05°, 1° – 89° : 0,2°;
- Display in °, %, mm/m and inch/ft.



also available as magnetic version



Length in cm	30	60	80
Article N°.	604 030	604 060	604 080
Article N°.	604 030 M	604 060 M	604 080 M

604 LEVELBOY

Digital display, automatically turning around when working overhead; "Hold"-button to store a measured value; any angle can be taken as reference angle (set as zero point), two different beeps when approaching.

Accuracy:

- Vials: normal position 0,5mm/m, inverted 0,75 mm/m
 - Battery: 2 x AAA, 1,5 V, Micro
 - Electronic inclination module: 0° and 90° : 0,05°, 1° – 89° : 0,2°;
- Display in °, %, mm/m and inch/ft

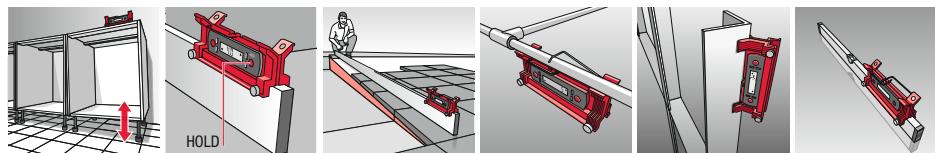


Spring clamp for mounting on, e.g., plastic pipes

Prismatic lay-on surfaces and strong magnets

Brass knurled screws for mounting on levels, screeds, etc.

Length in cm	20
Article N°.	604 020



601/601M Incl Tronic plus

Can also be used conventionally with the horizontal and vertical vial. Measuring accuracy 0,5 mm/m

Measuring accuracy in normal and inverted position: 0,5 mm/m on horizontal and vertical vial

Electronic inclinometer
Accuracy at 0° and 90° ± 0,05°
Accuracy at 1° to 89° ± 0,2°
Battery: E-block 9 Volt 6LR61.
Very long operating period by big capacity of the batteries

Sturdy powder-coated aluminium profile with milled measuring surface



Display with background light

Also available with strong magnets!

Incli Tronic measures angles electronically and displays them in a digital mode. The measuring processor can be calibrated within seconds.

- Measuring angles in degree, percentage, mm/m and inch/ft at the touch of a button
- Measurement display in 0,05°, 0,01°/IN/FT-, 0,1°-, 0,1 % or in 1,0 mm/m-steps
- Arrows in the display indicate, in which direction the Incl Tronic is to be moved, in order to reach 0° or 90° position
- By pressing the HOLD key, the current measurement value can be saved
- Switch-operated buzzer for 0° or 90° position
- All intermediate angles can be determined as reference angle (0-point)
- Different beeps for approaching from left or right.
- Automatically set off after 6 minutes

Also available with laser module
Article N°. 652 060 635 EW



Length in cm	60	80	120	180	200
Article N°.	601 060	601 080	601 120	601 180	601 200
Article N°.	601 060 M	601 080 M	601 120 M	601 180 M	601 200 M

Delivery: in sturdy translucent 2-part threaded plastic tube. Batteries are included in the scope of delivery.



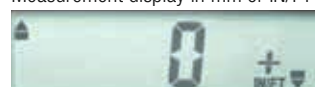
Measurement display in degrees or %



Measurement display in mm or IN/FT



Measurement display in mm or IN/FT



Special Purpose Levels

645 Inclination Level

Sturdy aluminium die-cast design with milled measuring face. Surface with orange powder coating. Rotatable vial carrier with % and degree scale to transfer inclinations. Length 50 cm.



Length in cm	50
Article N°.	645 050

645 Inclination Level INCLIFIX

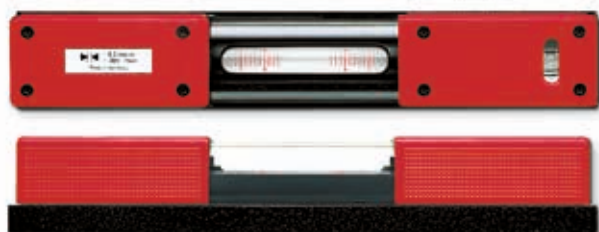
Rotatable vial carrier with % and degree scale to transfer inclinations, mounted on anodized level profile. Also available as magnetic version.



Length in cm	60
Article N°.	645 060E
Article N°.	645 060EM

640 Transmission Level

Prismatically milled base, scraped faces, 1 horizontal and 1 vertical vial. Lengths 160 mm/200 mm/250 mm/300 mm.



Length in mm	160	200	250	300
Article N°.	640 04160	640 04200	640 04250	640 04300
Sensitivity 0,04 mm/m				
Article N°.	640 10160	640 10200	640 10250	640 10300
Sensitivity 0,1 mm/m				
Article N°.	640 30160	640 30200	640 30250	640 30300
Sensitivity 0,3 mm/m				

Special Purpose Levels

680 Vials



Bullseye vial, Ø 14 x 8 mm
R 130 mm \pm 53 min.
Article N°. 680 014 D



Bullseye vial, Ø 18 x 9 mm
R 170 mm \pm 40 min.
Article N°. 680 018 D



Bullseye vial, Ø 40 x 10 mm
R 150 mm \pm 45 min.
Article N°. 680 040 D



Bullseye vial in aluminium frame,
Ø 30 x 11 mm
R 1700 mm \pm 4 min.
Article N°. 680 030 DFM



Bullseye vial in plastic frame,
Ø 30 x 11 mm
R 130 mm \pm 53 min.
Article N°. 680 030 DFK



Bullseye vial with plastic flange,
Ø 80 x 12 mm
R 215 mm \pm 31 min.
Article N°. 680 080 DFK



Vial 36 x 15 x 15 mm
R 180 mm \pm 38 min.
Article N°. 680 035



Vial 55 x 15 x 15 mm
R 180 mm \pm 38 min.
Article N°. 680 055



Vial Ø 15 x 36 mm
R 180 mm \pm 38 min.
Article N°. 680 036 R



Vial 34 x 22 x 14 mm
R 180 mm \pm 38 min.
Article N°. 680 034



Vial 100 x 15 x 15 mm
R 180 mm \pm 38 min.
Article N°. 680 100



Cross Spirit level, 60 x 45 mm
Article N°. 681 006 003



Display, Contents: 30 pcs
Article N°. 681 006 003 – VK

Plastic Spirit Levels

670 POCKET

High-impact plastic pocket level.
Plexiglass vials for horizontal and vertical measuring.
Dimensions 100 x 35 x 13 mm.
Self service packing.
Packing unit: 10 items.

Article N°. 670 010 003



671 NIVELLE

Pocket level made of high-impact ABS. Prismatic measuring plane.
Plexiglass vial.
Dimensions: 150 x 25 x 23 mm.
Self service packing.
Packing unit: 10 items.

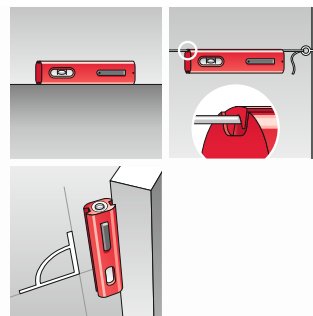
Article N°. 671 015 003



675 LINE-LEVEL

Line level made of ABS with clip.
Eyelet to hook on to a levelling line, plexiglass vials.
Dimensions: 120 x 29 x 17 mm.
Self service packing.
Packing unit: 10 items.

Article N°. 675 012 003



673/674M TRIVELLE

Torpedo level with 3 vials for horizontal, vertical and 45° measurements.
 Dimensions: 200 x 42 x 17 mm.
 Also available with powerful magnetic strip (674 M).
 Self service packing.
 Packing unit: 10 items.

Article N°. 673 020 003 674 020 003 M



also available with magnet

683/684M UNIVERSAL

Inclination level with horizontal vial. Additional rotating vial to transfer inclinations. Drawing aid for 45°, 60° and 120°, with mm-graduation at the measuring plane. Also available with powerful magnetic strips (684 M).
 Dimensions: 250 x 54 x 15 mm.
 Self service packing. Packing unit: 10 items.

Article N°. 683 025 003 684 025 003 M



also available with magnet

685/685M TORPEDO

Sturdy spirit levels made of reinforced fibre glass ABS-plastic. Round vials allows good readability. Magnet execution (685M) equipped with two strong disk magnets.
 Dimensions: 250 x 43 x 22 mm.
 Packing unit: 10 pieces.

Article N°. 685 025 002¹ 685 025 002 M¹ 685 025 003² 685 025 003 M²



also available with magnet

¹ with blister-packaging
² without blister-packaging



Aluminium Screeding Levels H- and Trapezoid-shaped Profiles

Please note: minimum order quantity 5 items for lengths from 2 m up.

689 WL

Straight-edge made of aluminium profile. No vial.
Box section approx. 100 x 18 mm.



Length in cm	Article N°.
150	689150 WL
180	689180 WL
200	689200 WL
250	689250 WL
300	689300 WL
400	689400 WL
500	689500 WL
600	689600 WL

689 RL

Straight-edge made of aluminium profile with 1 horizontal and 1 vertical vial.
Box section approx. 100 x 18 mm.



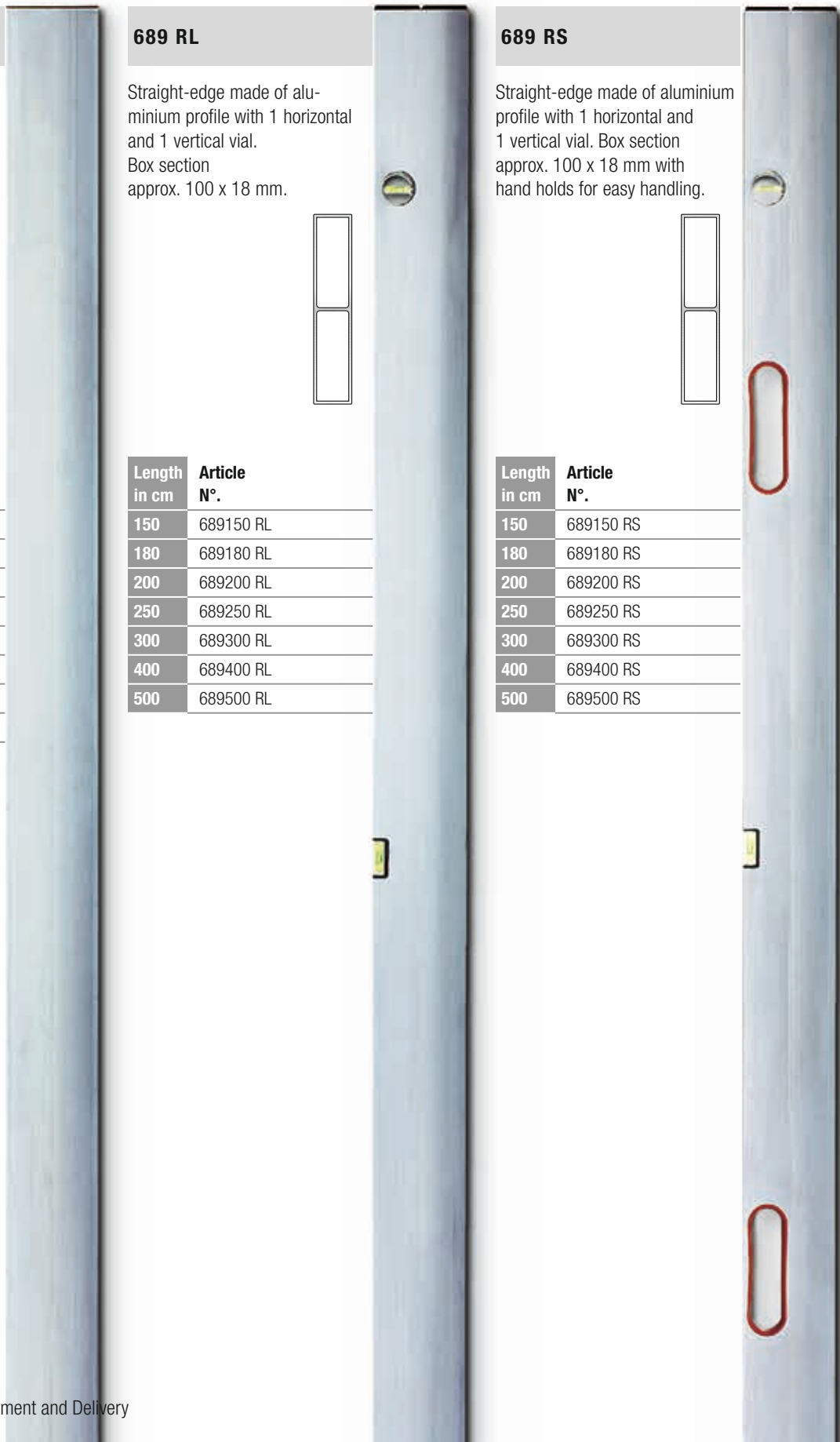
Length in cm	Article N°.
150	689150 RL
180	689180 RL
200	689200 RL
250	689250 RL
300	689300 RL
400	689400 RL
500	689500 RL

689 RS

Straight-edge made of aluminium profile with 1 horizontal and 1 vertical vial. Box section approx. 100 x 18 mm with hand holds for easy handling.



Length in cm	Article N°.
150	689150 RS
180	689180 RS
200	689200 RS
250	689250 RS
300	689300 RS
400	689400 RS
500	689500 RS



689 HK

For special applications, made of so-called H-profile. With reinforcement bead. Box section approx. 114 x 27 mm.



Length in cm	Article N°.
150	689150 HK
180	689180 HK
200	689200 HK
250	689250 HK
300	689300 HK
400	689400 HK

689 TK

Trapezoid-shaped aluminium profile. Box section approx. 98 x 18 mm.



Length in cm	Article N°.
150	689150 TK
180	689180 TK
200	689200 TK
250	689250 TK
300	689300 TK
400	689400 TK

689 RL-EL screeding level

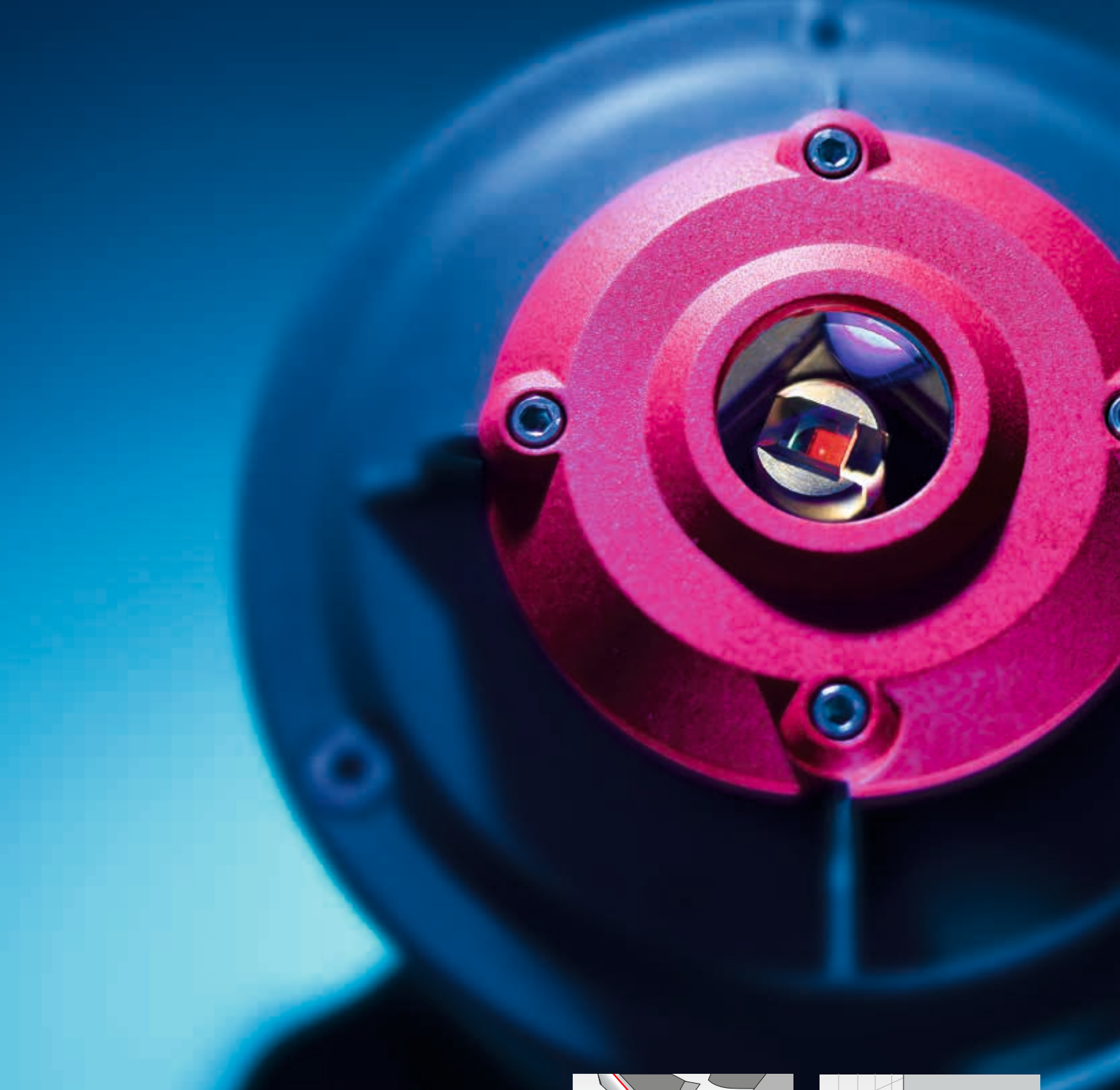
Rectangular aluminium profile, approx. 83 x 18 mm cross-cut, 1 x horizontal vial.



extra-strong
4mm base

Length in cm	Article N°.
100	689100 RL-EL
150	689150 RL-EL
180	689180 RL-EL
200	689200 RL-EL
250	689250 RL-EL
300	689300 RL-EL

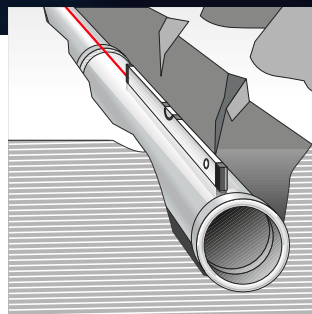




This is how BMI LASER technology facilitates your work:

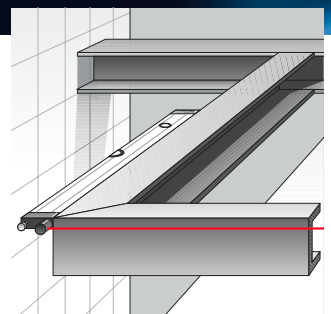
BMI laser systems are suitable for a wide range of measuring, alignment and levelling tasks.

Some basic applications are exemplified here:



The laser beam replaces the levelling line for

- Projecting slopes and gradients
- Setting alignments
- Checking the smoothness of walls and other surfaces



Determine right angles without other tools and auxiliary constructions when

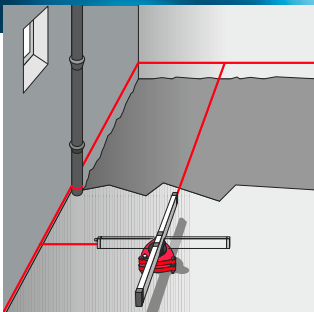
- Installing partitions
- Installing floors and platforms
- Checking angles of fabrications and steelwork

In 1993, BMI was the first to present laser levelling systems for trade and industry. The program has been continuously advanced and today, the user is offered ingenious, practical devices. From laser levels with useful accessories and levelling sets up to fully automatic rotating laser systems, BMI provides the perfect product for your application.

The advantage – then and now – has always been the tremendous time efficiency of these single-hand operated levelling systems.

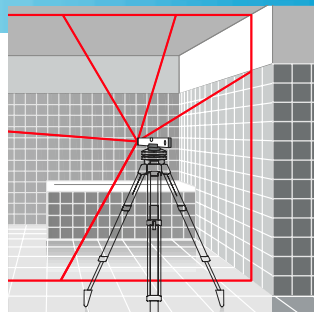
ADVANTAGES

- BMI LASER technology complies with international safety standards; all devices conform to laser class 2; power output < 1 mW.
- BMI LASER technology is robust, suited to the workshop and has been developed for practical application.
- BMI LASER technology offers service at first hand.



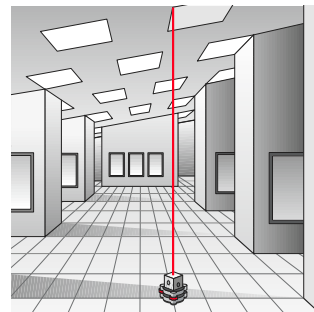
Save time-consuming measurements in the horizontal plane when

- Installing ceilings
- Marking the correct height of electrical outlets and switches
- Marking the upper line of tiled areas



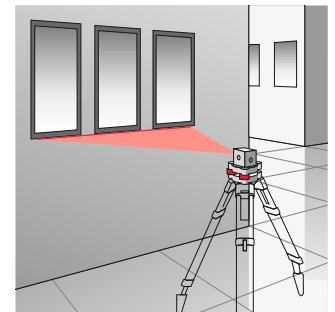
Save time-consuming measurements in the vertical plane when

- Installing partitions
- Installing display windows
- Establishing tiling columns



Replace the traditional plumb line to determine vertical references from the floor to the ceiling when

- Installing ceiling lighting
- Mounting conductor rails
- Installing fittings for ceiling panels



The line laser replaces the snap line when

- Mounting advertising billboards
- Ensuring the correct horizontal alignment of tiles
- Hanging up posters and pictures

LASER Levelling Technology

LASERBOY II

Clamp-on laser unit for easy handling, which turns every spirit level or straight-edge with a profile of 18 – 24 mm width into a laser level. 2 brass knurled screws ensure a tight connection. The device has a vial of its own (mounting accuracy 0,5 mm/m). Thus the Laserboy II can also be used for stand-alone operation. The parallelism of the beam axis is 0,2 mm/m in relation to the bearing surface. A 3/8 inch thread allows attachment on a video tripod. High-impact glass fibre reinforced case. The LASERBOY II offers the option to use deflecting or beam splitting prisms. Delivery: in cardboard box or blister packed display card.

Technical Data:

- Class 2, output < 1 mW
- Wavelength 670 nm
- Range approx. 30 m
- 2 x 1,5 V batteries (LR03 Micro)
- reverse battery protected
- 8 hours continuous light
- Dust and splash-water protected
- Dimensions L/W/H approx. 165 x 55 x 45 mm

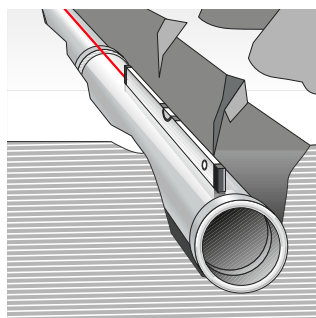
Batteries are included in the scope of deliver.



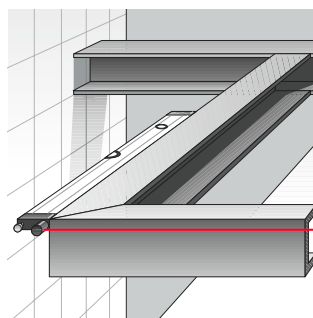
Vial for precise alignment in stand-alone operation

2 brass knurled screws ensure tight connection

Length	165 mm
Article N°.	649 015



Basic application possible without accessories



Accessories:

Beam deflecting prism and adapter. For basic application: setting up right angle

Article N°. 708 19 52

Accessories:

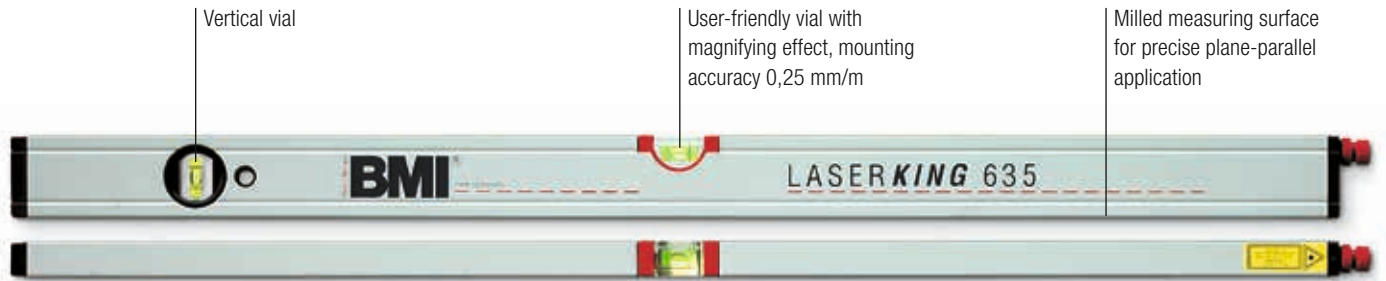
90° beam splitting prism 90 % of the light are deflected by 90°, 10 % are emitted alongside the beam axis.

Accuracy 0,15 mm/m

Article N°. 7081955

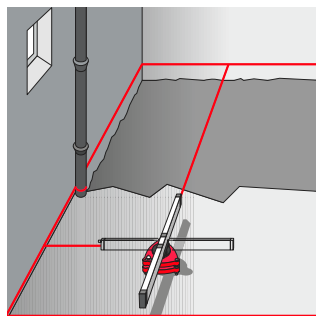
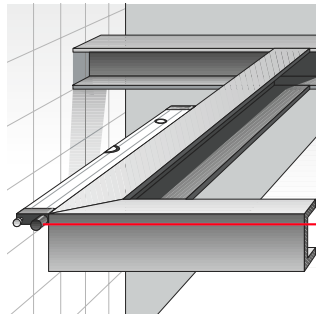
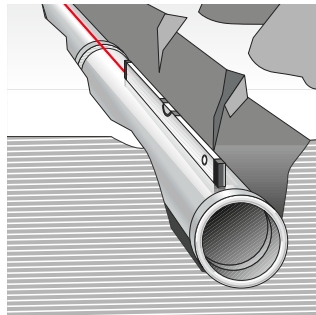


LASERKING



Laserking 635:

Laser level made of aluminium profile, grey powder coating, with milled measuring surface. Laser wavelength 635 nm. The laser module is designed for use on the construction site and has therefore been cast into the aluminium profile. The parallelism of the beam axis is 0,1 mm/m in relation to the measuring plane. The mounting tolerance of the horizontal vial is 0,25 mm/m. All LASERKING models can optionally be used with deflecting or beam splitting prisms. A built-in magnetic system ensures safe fixing on the BMI levelling platform. Delivery: in sturdy, translucent two-part threaded plastic tube.



Technical Data:

- Class 2, output < 1 mW
- 635 nm wavelength
- Ranges approx. 50 m
- 2 x 1,5 V batteries (LR03 Micro)
- reverse batteries protection
- 8 hours continuous light
- dust and splash-water protected
- Length: 80 cm

Batteries are included in the scope of deliver

Basic application possible without accessories

Length in cm	80
Article N°.	650 080 635

Accessories:

Beam deflecting prism and adapter. For basic application: setting up right angle! **Article N°.** 708 19 52



Accessories:

90° beam splitting prism 90 % of the light are deflected by 90°, 10 % are emitted alongside the beam axis. Accuracy 0,15 mm/m **Article N°.** 7081955



Accessories:

Compact levelling platform. For basic application: measuring horizontal plane! **Article N°.** 711 329

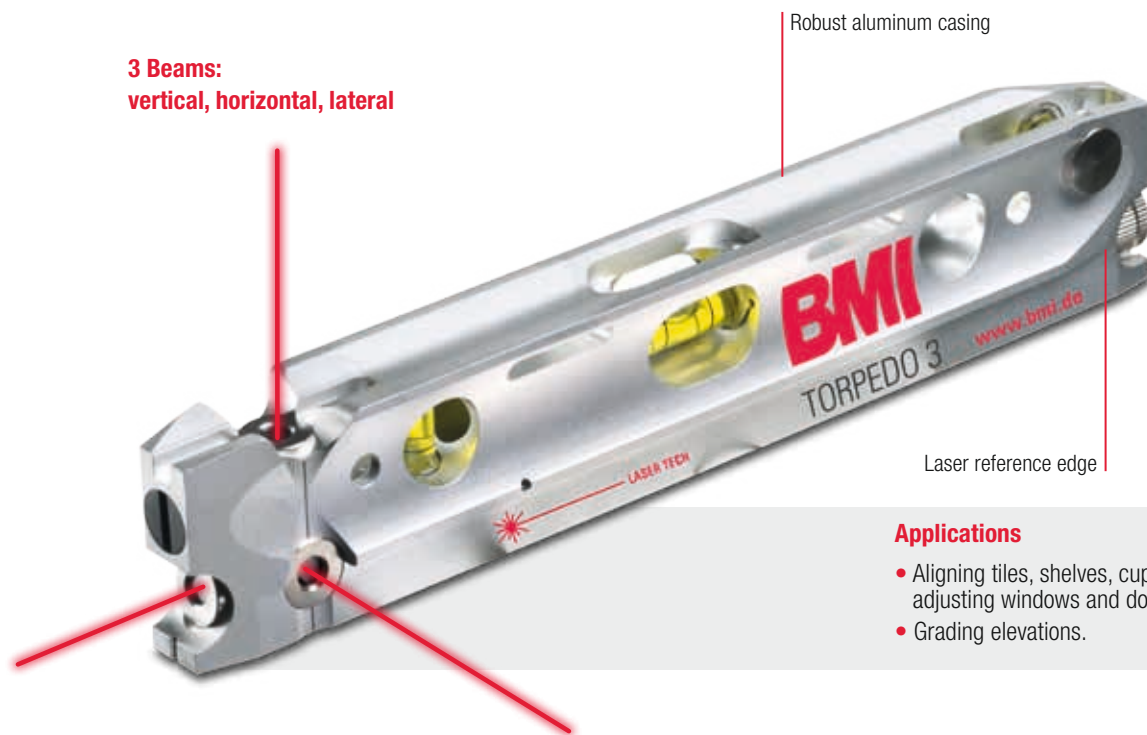


3-BEAM-LASER TORPEDO 3

- Time-saving precision laser tool.
- Robust aluminium casing.
- Strong magnets in the measuring surface.
- Easy to use.

- Blister pack, with levelling platform (not illustrated).
- Batteries included.

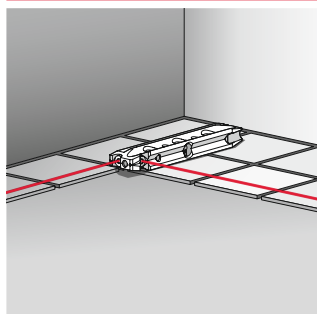
Article N°. 650 024 635 M-SET



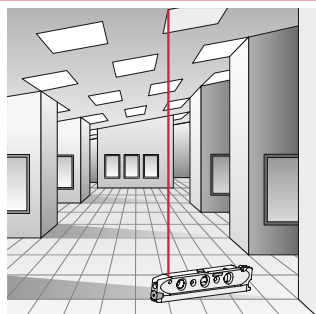
Applications

- Aligning tiles, shelves, cupboards, - adjusting windows and door frames.
- Grading elevations.

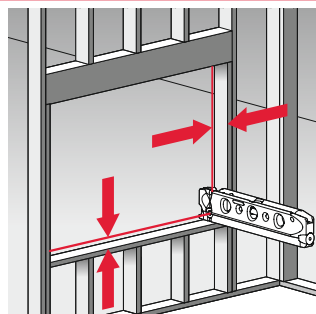
And it can help you do all the following ...



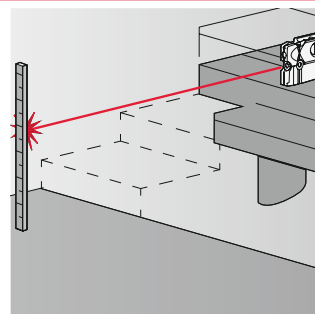
Aligning tiles



Plumb beam



90° angles



Grading elevations

Technical Data TORPEDO 3

Type of Laser	red diode laser, wavelength 635 nm
Output	laser class 2
Manual levelling	3 bubble vials
Levelling-platform	
Accuracy	± 6 mm/20 m
Range	up to 30 m
Power Supply	3 x 1,5 V batteries size AAA LR03A
Tripod connection size	1/4"

Operating temperature	-10° C to 50° C
Casing	dust, dirt and waterproof
Dimensions	240 x 25 x 45 mm
Weight	415 g

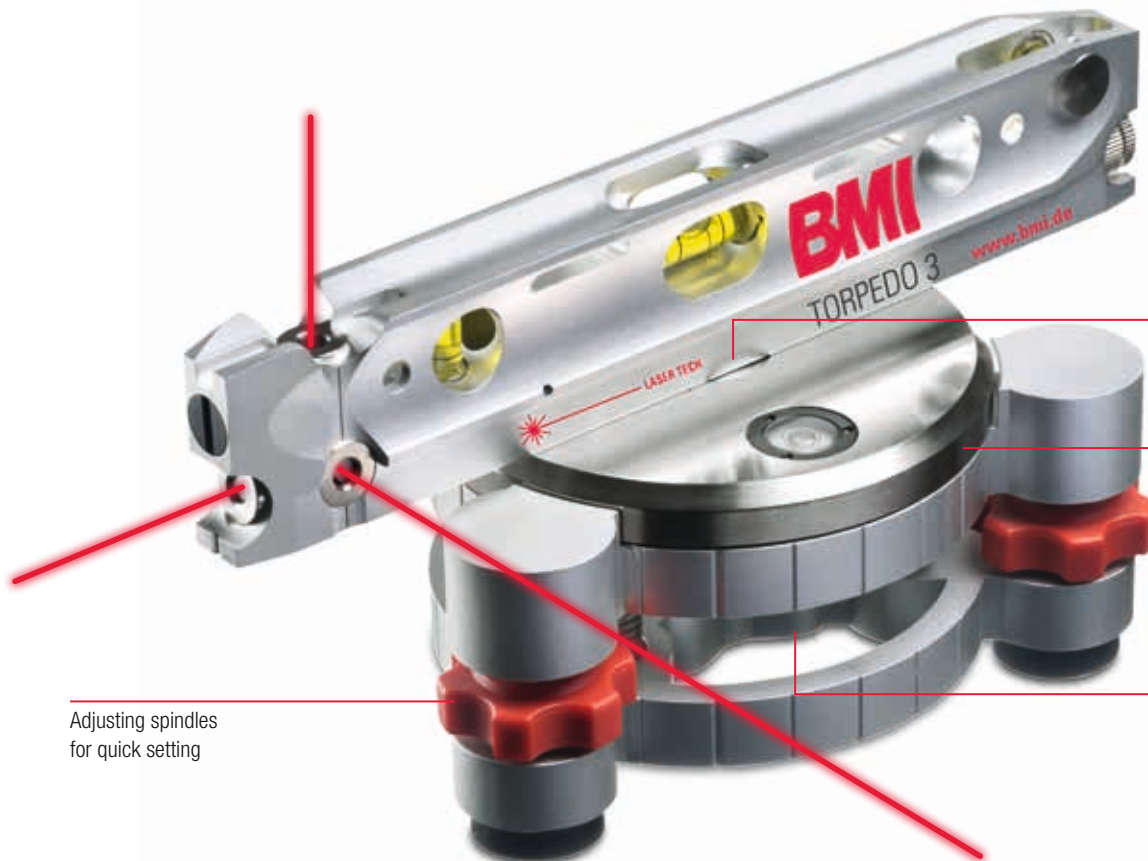
3-BEAM-LASER-SET TORPEDO 3 levelling-set

- TORPEDO 3.
- Rotating metal-levelling-platform.
- 90° angle prism.
- Laser enhancement spectacles.

- Plastic carrying case.
- Batteries included.

Article N°. 650 040 635 COMP

BMI



Strong magnets for safe mounting on the rotating disc



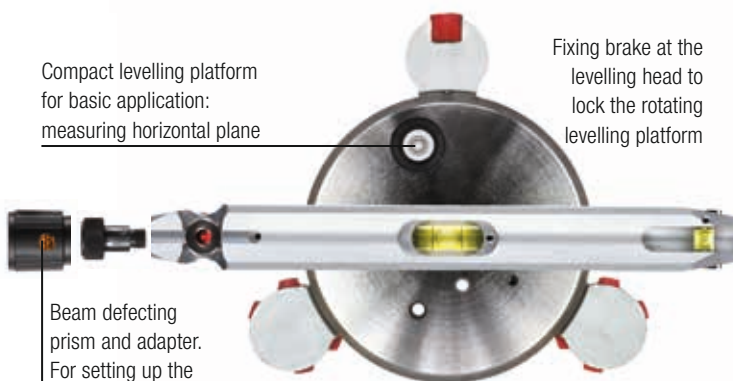
Rotating, ball bearing-supported disc

Adjusting spindles for quick setting

Tripod connection size 1/4", 3/8" and 5/8"

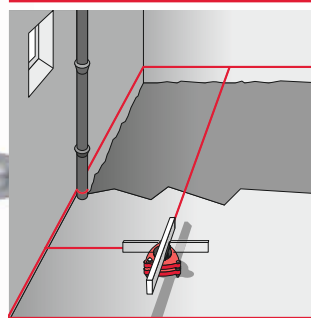
Compact levelling platform for basic application: measuring horizontal plane

Fixing brake at the levelling head to lock the rotating levelling platform

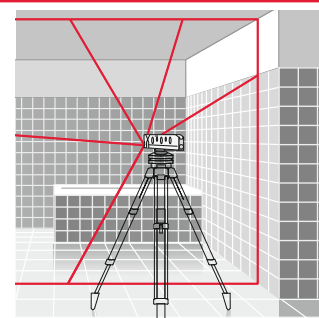


Beam deflecting prism and adapter. For setting up the right angle

And it can help you do all the following ...



Reference markings



Vertical view



Set includes the following

TORPEDO 3

- 3-Beam-laser.

Metal-Levelling-platform

- For quick setting of horizontal lines.
- Heavy, metal design.
- Using on the floor or on a tripod.

90° angle prism

- Pentagonal prism, deflects the laser beam by 90°.

Laser enhancement spectacles

- Making the laser dot clearly visible in unfavorable light conditions.

Plastic carrying case

- Dimensions 450 x 300 x 160 mm.
- Set weight: 2,1 kg

Pulsed, self-levelling crossline laser autoCROSS 3

- Self-levelling crossline-laser.
- Horizontal and vertical lines can be switched on separately.
- Can also be used with receiver by pulsed laserdiodes.
- Delivery with transport case, including batteries.

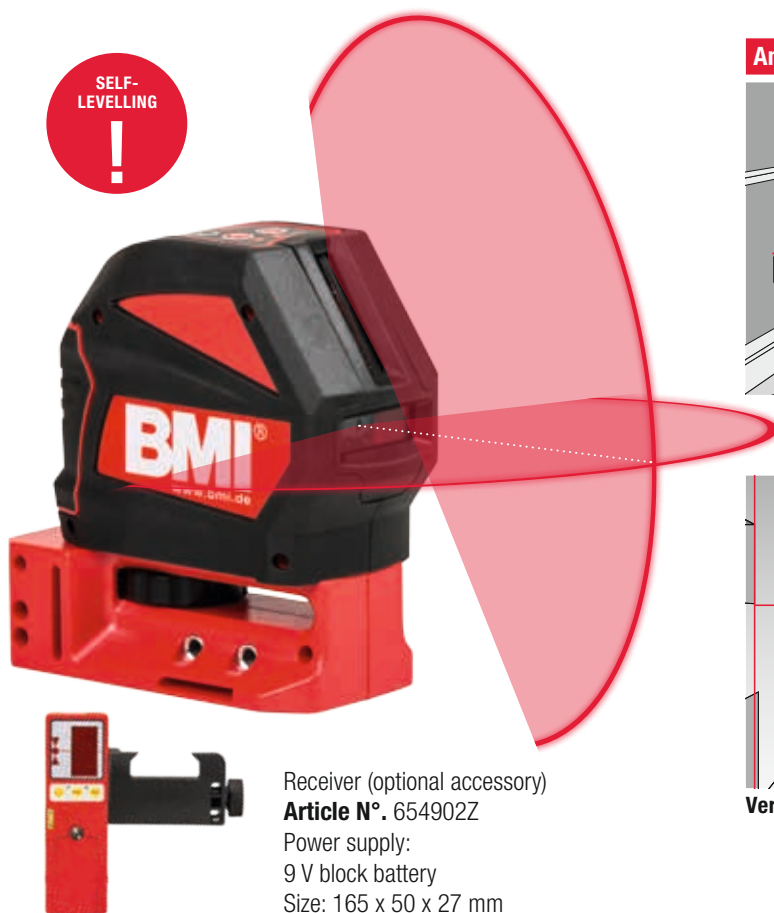
Basic instrument:
Article N°. 654 KLPP

Basic instrument with receiver:
Article N°. 654 KLPP-Set

Receiver:
Article N°. 654902Z

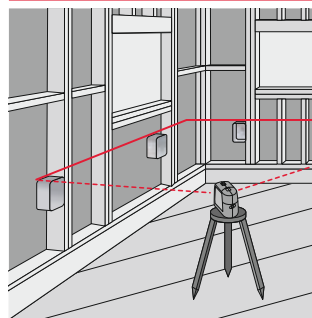
Very good visible laserlines by super-lighting power

An aperture angel of 140° vertical and 120° horizontal gives you extraordinary line lengths.

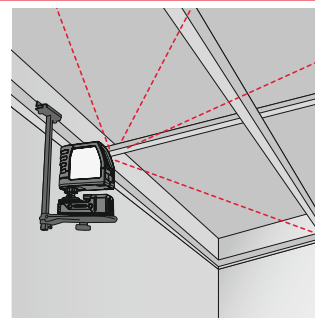


Receiver (optional accessory)
Article N°. 654902Z
Power supply:
9 V block battery
Size: 165 x 50 x 27 mm

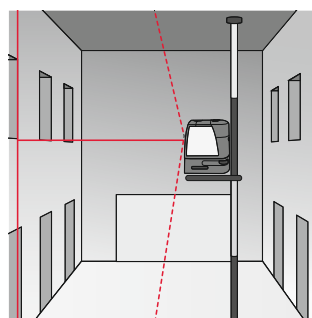
And it can help you do all the following ...



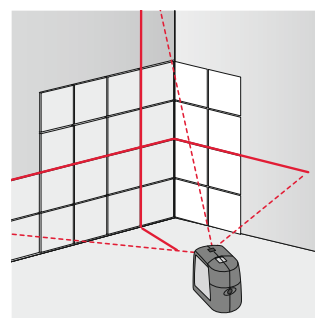
Markings for floors, electrical ...



... and drop ceilings



Vertical line (carpentry)



Cross line to align tiles etc.

- **Self-levelling mechanism** – eliminates set-up time and guarantees accuracy by using a magnetically subdued pendulum.
- **Automatic out of level sensing** – by blinking laser beam.
- **Locked line angle** – take unit out of self-levelling mode and lock line in place allowing to set unit in any angle.
- **Multipurpose attachment accessory** – with strong magnets, tripod connections allow to use the instrument also on tripods.

Technical Data autoCROSS 3

Type of laser	red diode laser, wave length 635 nm
Output	laser class 2
Levelling	fully automatic (pendulum)
Self-levelling range	± 4°
Accuracy	± 3 mm/10 m
Range with receiver	minimum 30 m
Power supply	3 x 1.5 V batteries Type AALR6
Aperture angle	140° vertical, 120° horizontal
Out of level indicator	blinking laser lines
Tripod connection size	1/4"
Operating temperature	-10° C to 50° C
Storage temperature	-20° C to 70° C
Dimensions	120 x 95 x 62 mm

Technical Data Adapter

Tripod connection size	1/4" and 5/8"
Fastening	magnets, tripod
Dimensions	115 x 65 x 40 mm

Delivery in transport case, incl. batteries and multifunctional adapter



Pulsed, self-levelling cross line and plumb laser autoCROSSplus

- Plumb beam up and down.
- Self-levelling cross line and plumb laser.
- Multifunctional adapter with magnets and tripod connections threads 1/4" and 5/8".
- Delivery with transport case.
- Including batteries.

Basic device with carrying bag:

Article N°. 654 KLPPplus

Complete set (incl. receiver):

Article N°.

654 KLPPplusSET

Receiver:

Article N°.

654901Z

BMI

Pulsed laser lines enable use of a receiver at range up to 30 m – even outdoors



Multifunctional adapter with magnets and tripod connections

Basic device

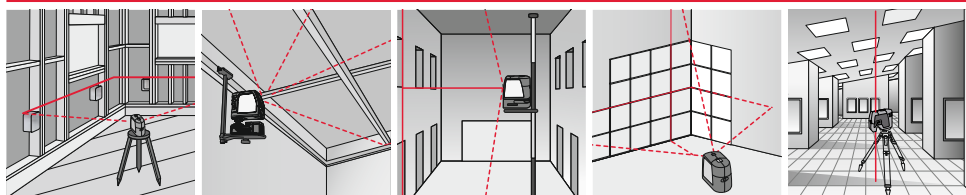


The Basic device includes: autoCROSSplus, magnetic wall-mounting bracket with 1/4" and 5/8" tripod connection, laser target card, batteries and carry bag.



Receiver (optional)
Article N°. 654901Z

And it can help you do all the following ...



Markings for floors, electrical...

...and drop ceilings

Plumb line (carpentry)

Cross line to align tiles etc.

Plumb line up and down

- **Self-levelling mechanism** – eliminates set up time and guarantees accuracy by using a magnetically subdued pendulum.
- **Automatic out-of-level sensing** – by blinking laser beam.
- **Locked line angle** – out of self-levelling mode and lock line in place allowing you to set unit at any angle.

Technical Data autoCROSSplus

Type of laser	red diode laser, wavelength 635 nm
Output	laser class 2
Levelling	fully automatic pendulum
Accuracy	± 3 mm/10 m
Range with receiver	up to 30 m (with Receiver)
Power supply	3 x 1,5 V batteries Type AA LR6
Tripod connection size	1/4"
Dimensions	115 x 100 x 65 mm
Weight of set	1,6 kg

Technical Data Adapter

Tripod connection size	1/4", 5/8"
Fastening	magnets, straps, tripod
Dimensions	125 x 55 x 105 mm

Basic device: delivered in a transport case, incl. batteries and multifunctional adapter



Refer to our General Terms of Payment and Delivery

Crossline and 5-beam laser, all in one!

autoMAGIC

- Self-levelling 5 beam and cross line laser.
- Plumb beam, up and down.
- 5 laser beams at a time.
- Laser glasses.
- Multifunctional adapter with magnets and tripod connection threads 1/4" and 5/8".
- Comes as set in hard plastic case.
- Incl. batteries.

Basic device:
Article N°. 654 KLP 5SP
 Complete set (incl. receiver):
Article N°. 654 KLP 5SP – Set
 Receiver:
Article N°. 654901Z



Pulsed laser lines
 enable use of
 a receiver at a range
 up to 50 m –
 even outdoors

Basic device

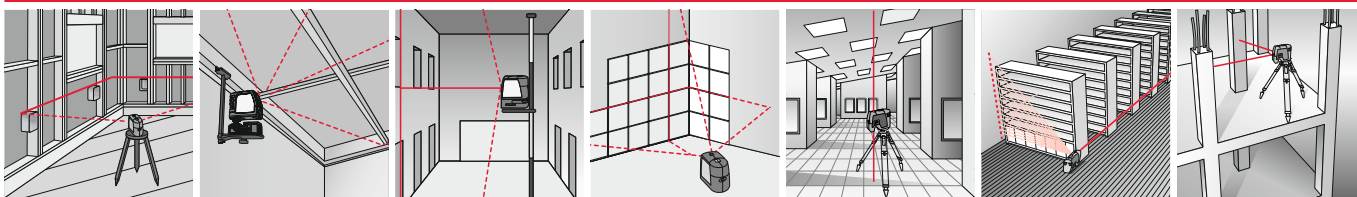
Basic device includes:
 auto MAGIC, magnetic
 wall-mounting bracket with
 1/4 and 5/8 inch tripod
 connection, laser target card,
 batteries and carry bag.



Receiver
 (optional)
Article N°.
 654901Z

Multifunctional
 adapter with
 magnets and
 tripod connection

And it can help you do all the following ...



Markings for floors, electrical...

...and drop ceilings

Plumb line (carpentry)

Cross line to align tiles etc.

Plumb line up and down

90° angle

Dot relays






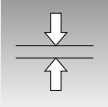

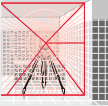
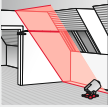
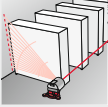

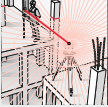


- **Self-levelling mechanism** – eliminates set up time and guarantees accuracy by using a magnetically subdued pendulum.
- **Automatic out-of-level sensing** – by blinking laser beam.
- **Locked line angle** – out of self-levelling mode and lock line in place allowing you to set unit at any angle.

Technical Data autoMAGIC	
Type of laser	red diode laser, wavelength 635 nm
Output	laser class 2
Levelling	fully automatic pendulum
Accuracy	± 3 mm/10 m
Range	up to 50 m (with receiver)
Power supply	3 x 1,5 V batteries size Typ AA LR6
Tripod connection size	1/4"
Dimensions	115 x 115 x 75 mm

Technical Data Adapter	
Tripod connection size	1/4", 5/8"
Fastening	magnets, straps, tripod
Dimensions	105 x 53 x 60 mm
Set Weight	0,9 kg

Which construction laser for which application?

Make your choice!

	Features	uniLASER AH	Nautilus	uniLASER AHV
	Protection against water	✓ Dust and waterproof according to IP 64	✓ Waterproof according to IP 67	✓ Dust and waterproof according to IP 64
	Indoor-application	✓ Range with receiver Ø 300 m	✓ Range with receiver Ø 300 m	✓ Range with receiver Ø 300 m
	Outdoor-application	✓ Range with receiver Ø 300 m	✓ Range with receiver Ø 300 m	✓ Range with receiver Ø 300 m
	Power supply	Line powered and accumulator (Ni-MH)	Line powered and accumulator (Ni-MH)	Line powered and accumulator (Ni-MH)
	Electronic Safety Program	✓ Shock monitored by ESP	✓ Shock monitored by ESP	✓ Shock monitored by ESP
	Accuracy	± 3 mm / 30 m	± 2,6 mm / 30 m	± 3 mm / 30 m
	All-taken-care-of-package		3-year-warranty First inspection included Help in case of defects	
	Vertical levelling			✓
	Continuous inclination 0 ... 90°			Adjustable in 2 axis ± 5° degree
	Right angle 90°			✓
	Plumb line	✓ Up and down		✓ Up and down
	Horizontal levelling	✓	✓	✓
	Remote control	✓		✓
	Visible line			✓

Construction laser self-levelling uniLASER AH

- Self-levelling construction laser for horizontal applications with plumb beams up and down.

- Line powered and accumulator possible.
Article N°. 64808 AH-SET K2



Electronic Safety Program
automatic laser stop
in case of shocks or changes
in position



With rechargeable battery
(Ni-MH; without memory effect)



Waterproof IP 64 compliant



Photodiode hand receiver to ensure optimum functioning of the laser within a working range up to a distance of 150 m

- Acoustic and optical receiving signal.
- LCD display at the front side for easy and practical handling.

The complete Set in a stable plastic storage and transport case:

- BMI UNILASER AH Rotating laser.
- Receiver with staff clamp.
- Remote control.
- Charging set.
- Replacement batteries (4 x 1,5 V Type LR14).
- Target, wall bracket.
- Robust transport case.
- Operating manual.



Technical Data Rotationslaser	
Type of laser	red diode laser, wave length 635 nm
Output	< 1 mW, Laserclass 2
Self-levelling range	± 5°
Levelling accuracy	± 3 mm/30 m
Levelling time	typical < 20 sec.
Operating range	-20° C to 50° C
Range	300 m Ø with receiver
Speed	60, 120, 300 and 600 rotations/min.
Power supply	Battery pack with 4 x 1,5 V Type LR 14
Service life	20 hrs

Protective system	Dust and waterproof IP 64 compliant
Tripod connection size	5/8"
Dimensions	ca. 200 x 160 x 190 mm
Weight	6,6 kg

Technical Data Receiver	
Range	150 m
Power supply	9 V-Block 6LR61
Service life	according to usage

Construction Laser (waterproof/horizontal) NAUTILUS IPX7

- Does not know what "bad weather" means.
- Use it under severe conditions on the construction site.
- Set it up, switch it on and begin (single-button-control).

- Robust, accurate and safe by means of ESP (Electronic Safety Program).
 - Line-powered or accumulator.
- Article N°.** 648 03 AH SET



Electronic Safety Program
automatic laser stop
in case of shocks or changes
in position



Robust aluminium casing

Shock protection with a
circulating plastic shock absorber



With rechargeable battery
(Ni-MH; without memory effect)



Waterproof IP 64 compliant



**Waterproof
IP67 compliant**

**NAUTILUS
IPX7
in Action:
www.bmi.de**



**The complete set with the
practical carrying bag:**

- NAUTILUS IPX7.
- Receiver with staff clamp.
- Charging set.
- Operating instruction.
- Accumulator set (Ni-MH) and batteries for the receiver.

**Photodiode hand receiver to
ensure optimum functioning
of the laser within a working
range up to a distance of
250 m**

- Acoustic and optical receiving signal.
- LCD display at the front side for easy and practical handling.



THE ALL-TAKEN-CARE-OF-PACKAGE:

- 3-year-warranty
- Original inspection included
- Quick help in case of defects

Technical Data Rotationslaser

Type of laser	red diode laser, wave length 635 nm
Output	< 1 mw; laser class 2
Self-levelling range	approx. ± 4° corresponds to ± 6 %
Levelling accuracy	± 2,6 mm/30 m
Levelling time	< 30 sec.
Operating range	-10° C to 50° C
Range	300 m Ø with receiver
Speed	600 rotations/min.
Power supply	line-powered or accumulator (Ni-MH) 4 x 1,2 V Baby, size A, LR14
Service life	50 hrs

Protective system	waterproof IP 67 compliant
Tripod connection size	5/8 inch (tripod)
Dimensions	ca. 170 x 170 x 220 mm
Weight	2,5 kg

Technical Data Receiver	
Range	250 m
Protective system	waterproof IP 67 compliant
Power supply	2 x 1.5 Volt Mignon AA LR6
Service life	according to usage

Construction laser self-levelling uniLASER AHV

- Self-levelling construction laser for horizontal and vertical applications with plumb beams up and down.

- Line powered and accumulator possible.
Article N°. 64808 AHV-SET K2



Electronic Safety Program
automatic laser stop
in case of shocks or changes
in position



With rechargeable battery
(Ni-MH; without memory effect)



Waterproof IP 64 compliant



Photodiode hand receiver to ensure optimum functioning of the laser within a working range up to a distance of 150 m

- Acoustic and optical receiving signal.
- LCD display at the front side for easy and practical handling.

The complete Set in a stable plastic storage and transport case:

- BMI Unilaser AHV Rotating laser.
- Receiver with staff clamp.
- Remote control.
- Charging set.
- Replacement batteries (4 x 1,5 V Type LR14).
- Target, wall bracket.
- Robust transport case.
- Operating manual.



Technical Data Rotationslaser	
Type of laser	red diode laser, wave length 635 nm
Output	< 1 mW, Laserclass 2
Self-levelling range	± 5°
Levelling accuracy	± 3 mm/30 m
Levelling time	typical < 20 sec.
Axial tilt	motorized, x and y axis for an inclination up to 5° degree
Operating range	-20° C to 50° C
Range	300 m Ø with receiver
Speed	60, 120, 300 and 600 rotations/min.
Power supply	Battery pack with 4 x 1,5 V Type LR 14

Service life	20 hrs
Protective system	Dust and waterproof IP 64 compliant
Tripod connection size	5/8"
Dimensions	ca. 200 x 160 x 190 mm
Weight	6,6 kg

Technical Data Receiver	
Range	150 m
Power supply	9 V-Block 6LR61
Service life	according to usage

Levelling Instrument (automatic/optic)

Builder's level

- Automatic self-levelling.
- Very short minimum target distance.
- Additional rough sight.

Instrument with box
Instrument with box, tripod, tenimeter
Instrument with box
Instrument with box, tripod, tenimeter

Article N°. 646 2024
Article N°. 646 2024 SET
Article N°. 646 2032
Article N°. 646 2032 SET

BMI



Box

- Dimensions
270 x 170 x 180 mm.



**Waterproof IP67
compliant**

Completely equipped including the box:

- Upright parting picture.
- Horizontal circle 400 gon
- Big and handy operating buttons
- Horizontal circle made of metal behind the glass.
- Continuous antagonistic spring control with resilience.
- Overwind protection of the focusing.
- Circular bubble for rough adjustment.
- Dimensions 220 x 135 x 135 mm.
- Weight 1,9 kg.

Technical Data Telescope

Magnification	x 24	x 32
Lens opening	36 mm	42 mm
Length	200 mm	
Shortest target distance	0,9 m	
cm-estimate	150 m	
Mid km-error	± 2,5 mm	
Compensator	magnet	
Dimensions	220 x 135 x 135 mm	
Weight	1,9 kg	

Technical Data Horizontal circle

Diameter	110 mm
Graduation	0 – 400 gon
Numbering	1 gon

Crank-Operated Tripods

- Especially recommended for the rotating lasers such as Nautilus and the Unilaser AH and AHV.
- Sturdy light metal design for heavy duty lasers.
- Crank lift plus the air damped telescopic tube slides down without jamming.
- The tripod legs are covered with rubber caps, this ensures safe positioning on smooth ground and prevents damages of surfaces like parquet flooring and paving tiles.
- The robust chain guarantees no-sliding of legs.
- Bulls-eye vial-self impending.
- Aluminium tripod plate, removable.
- Tripod connections size 5/8".



Size M

Size L

Size XL

Laser can be set up on this tripod at a minimum height of less than 1 m.

Size	M	L	XL
Min. effective height in m	0,70	0,95	1,20
Max. effective height in m	1,70	2,20	3,00
Crank lift in m	0,45	0,45	0,65
Weight in kg	5,60	6,30	6,50
Article N°.	711 400-M	711 400-L	711 400-XL

Surveyor's Tripod

- Sturdy light metal design.
- Ground spikes.
- Connecting thread 5/8".
- Min. length 0,99 m, max. length 1,59 m.
- Weight 4,40 kg.

Article N°. 711 317

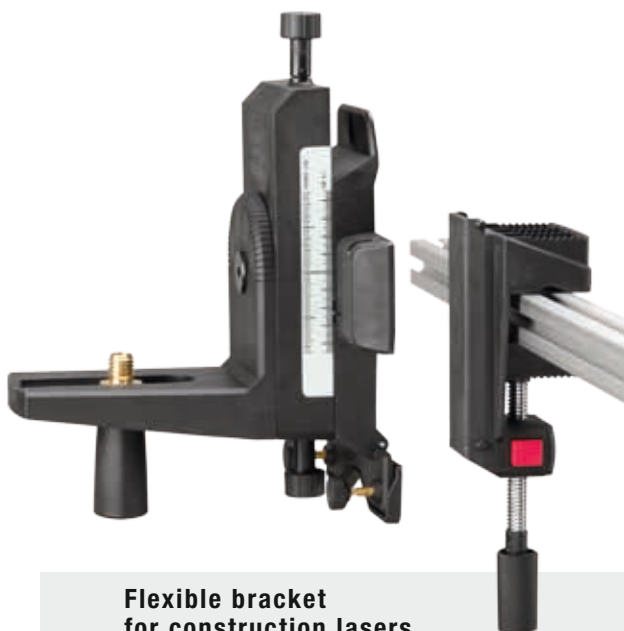
Further tripod designs on request

Photo Tripod

- Robust photo tripod recommended for Torpedo 3, autoCROSS 3, autoCROSSplus and autoMAGIC.
 - Tripod connection size 1/4".
 - Robust, made from light metal with handhold and vial.
 - Incl. carrying bag.
- Technical Data
- Height min. 0,6 m, max. 1,68 m.
 - Weight: 1,30 kg.
 - Max carriage weight: 3 kg.

Article N°. 711 212-02





Flexible bracket for construction lasers

- Height adjustable up to 87 mm.
- Gradient up to max. 90 degree.
- ABS glasfibre reinforced.
- Weight app. 1,3 kg.

Article N°. 711 FWH



Laser Enhancement Spectacles

- Make the laser dot clearly visible in unfavourable light conditions.

Article N°. 711 330

Telescopic Levelling Staff

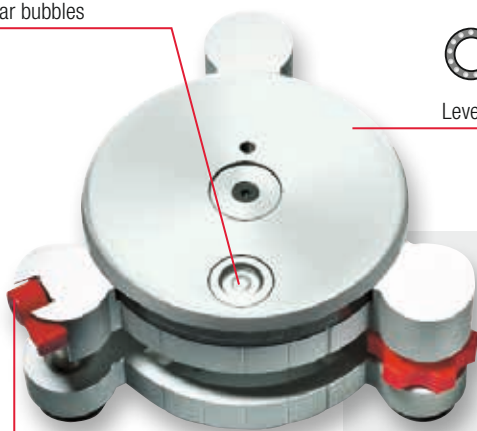
- Made of aluminium profile.
- Box section 20 x 30 mm.
- Extends from 1300 mm to 2400 mm.
- The telescopic levelling staff allows to read height differences algebraically correct.

Article N°. 705 213 00

Especially recommended for use with our construction lasers.



Control and align at one glance using precise circular bubbles



Levelling platform with ball bearing

Compact-Levelling Platform

- For the quick and precise measurement of horizontal planes.
- Hold all kinds of BMI laser levels.
- Heavy-weight metal design.
- Quick adjustment with 2 knurled screws.
- Connecting thread 1/4", 3/8" and 5/8".
- Can be used on the floor and tripod.

Article N°. 711 329

Scope of delivery includes a spring bracket for fastening non-magnetic laser levels and similar non-BMI products.

Emergency brake



Rules and folding rules made of wood, plastic or metal still are the measuring instruments in trade and industry for longitudinal measuring. For different applications with regard to precision, or to certain impacts, like humidity and heat, BMI always offers the right measure for you.

ADVANTAGES

Wooden folding rules

- Strong quality beechwood
- High breaking resistance
- Strong joint spring give the BMI rule a long life and good handling features
- Joints with permanent greasing
- Durable varnish

Plastic folding rules

- Precisely embossed graduation layout
- Resistant to many environmental impacts

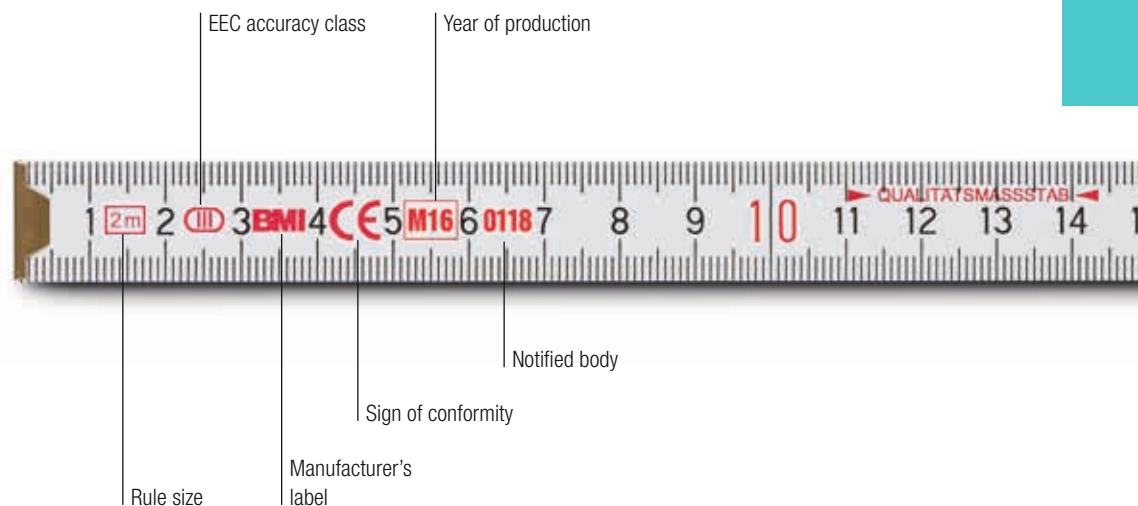
Aluminium folding rules

- Good stand
- High accuracy (EC II)
- Excellent readability
- Resistant to many environmental impacts and heat

Flexible and rigid rules

- Rustless
- High accuracy (EC II)
- Signed, anti-abrasive graduation

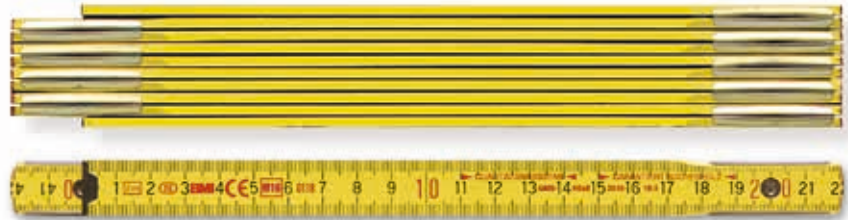
You can spot quality rules from these imprints:



Wooden Rules

9002/9042/9052

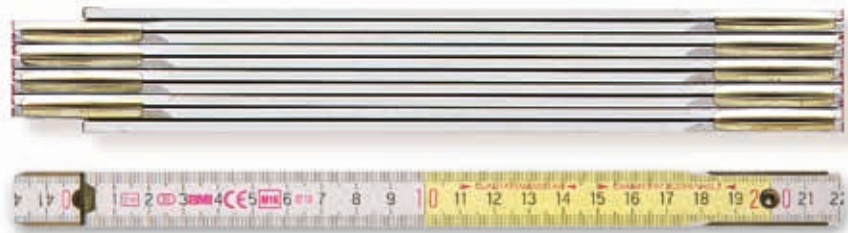
Beechwood folding rule*, section thickness 3,0 mm, section height 16 mm, no. of sections 10, riveted and brass-plated spring joints ensure permanent dimensional accuracy. 2 m length with duplex graduation. Also available in length of 1 m with 6 sections. Packing unit: 50 pcs.



	2 m yellow	1 m yellow	2 m white	2 m nature	
Article N°.	972 9002 00	971 9001 00	980 9042 00	981 9052 00	front mm, rear inch-graduation

9802

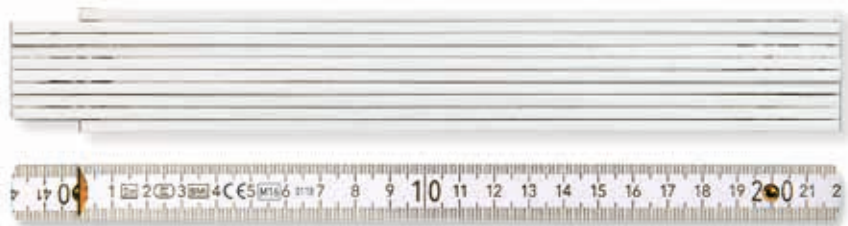
Beechwood folding rule*, section thickness 3,0 mm, section height 16 mm, no. of sections 10, riveted and brass-plated spring joints ensure permanent dimensional accuracy. Colour change of the graduation from white to yellow in decimal steps. Packing unit: 50 pcs.



	2 m white/yellow
Article N°.	982 9802 00

9082

Beech wood folding rule*, section thickness 3,0 mm, height 16 mm, no. of sections 10, fatigue-free internal joint springs. White varnish, 2 m length with duplex graduation. Packing unit: 50 pcs.



	2 m white	2 m white/yellow
Article N°.	977 9082 00	977 9082 WG

Flush-mounted joints provide continuous straight edge of the unfolded rule.



* All wooden rules in EC accuracy class III.

NEW! Wooden rules with angle scale!



9072

Equal to 9082, but without dip-dyed lacquer. **Degree scale on joint** of first rule section. White varnish, 2 m length with duplex graduation. 50 pcs.



2 m white
 Article N°. 976 9072 00

Flush-mounted joints provide continuous straight edge of the unfolded rule.



8062

Beech wood folding rule*, consists of 10 sections, each 3.0 mm thick, 16 mm wide, hidden riveted joints made from sturdy plastic. **Angle scale on joint** of first rule section. white varnish, length 2 m, duplex graduation. Packing unit: 50 pcs.



2 m white
 Article N°. 979 8062 00

Flush-mounted joints provide continuous straight edge of the unfolded rule.



* All wooden rules in EC accuracy class III.

Wooden Rules

9142

Folding rule* for the highest requirements, made of 3,3 mm beech wood, section height 16 mm, no. of sections 10, internal rivets allow good readability, the internal joint plates allow narrow-folding, the colour change from white to yellow is in decimal steps, 2 m length in duplex graduation.

Packing unit: 50 pcs.



2 m white/yellow	3 m white/yellow
Article N°. 984 9142 00 WG	984 9143 00 WG

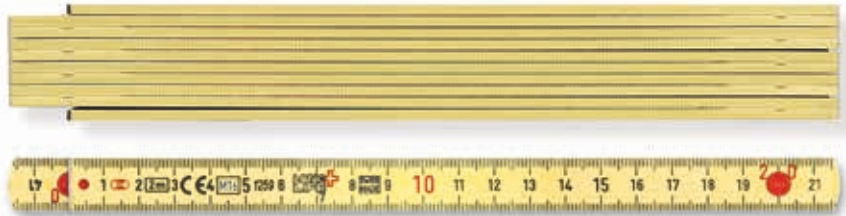
* All wooden rules in EC accuracy class III.

Plastic folding Rules

9902

Plastic folding rule "LONGLIFE", made of white glassfibre reinforced polyamide, joints latch in right angle. Graduation (EC III) with red decimal digits. Imprint on the rear runs in the opposite direction for convenient reading in unfavourable working conditions (1 m/2 m).

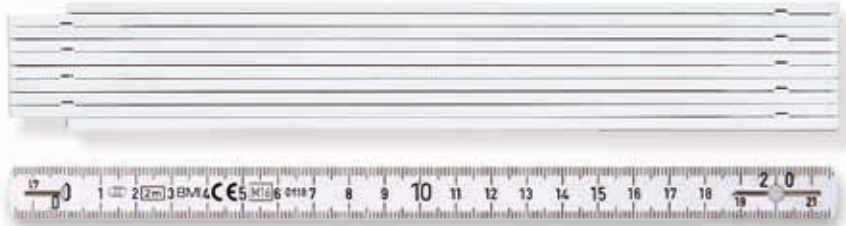
Packing unit: 10 pcs.



	2 m yellow	section height 16 mm, no. of sections 10	1 m yellow	section height 13 mm, no. of sections 10
Article N°.	936 9902 00		935 9901 00	

1042

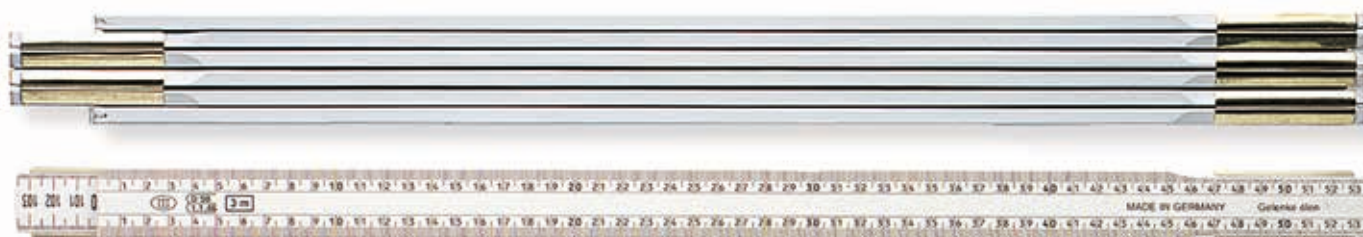
White plastic folding rule (EC III) with black graduations, riveted metal spring joints (1 m/2 m), Packing unit: 10 pcs.



	2 m white	section height 16 mm, no. of sections 10	1 m white	section height 13 mm, no. of sections 10
Article N°.	943 1042 00		941 1041 00	

Wooden Rules in oversize of 3, 4 and 5 m

9003



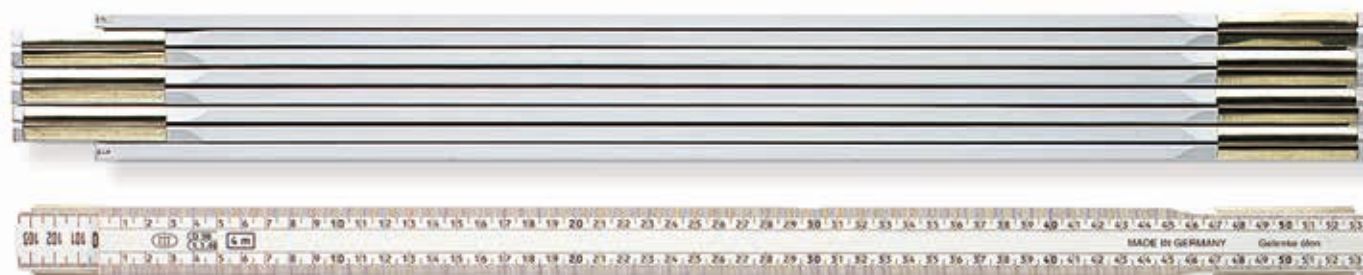
Wooden folding rule in **3 m size**, section thickness 6.5 mm, section height 30 mm, length of sections 50 cm, very robust design, concealed rivets, front and rear side with mm graduations each, running in opposite directions.

3 m white

section height 30 mm,
no. of sections 6

Article N°. 973 9003 00

9004



Wooden folding rule in **4 m size**, section thickness 6.5 mm, section height 30 mm, length of sections 50 cm, very robust design, concealed rivets, front and rear side with mm graduations each, running in opposite directions.

4 m white

section height 30 mm,
no. of sections 8

Article N°. 973 9004 00

9005



Wooden folding rule as above, but as **5 m version**, particularly robust type, hidden joints, front and rear side with mm graduations each, running in opposite directions.

5 m white

section height 30 mm,
no. of sections 9

Article N°. 973 9005 00

Metal Rules

961 silver color with black graduation

Cold-hammered special aluminium alloy, nature-coloured, 1,4 mm thick, section height 14 mm. Digits and graduations deep etched and laid out black. The rule has precision-latching, nickel-plated steel springs. Rounded edges. EC accuracy class II.



	2 m mm-graduation	2 m mm/inch-graduation	1 m mm-graduation	1 m mm/inch-graduation
Article N°.	961 2000 44W	961 2000 45W	961 1000 44W	961 1000 45W

961 black with silver graduation

Cold-hammered special aluminium alloy, black anodized, 1,4 mm strong, section height 14 mm. Digits and graduations are deep etched and appear white on black ground. This extremely weather-resistant surface allows non-reflective reading. The rule has precision-latching nickel-plated steel springs. Rounded edges. EC accuracy class II.



	2 m mm-graduation	2 m mm/inch-graduation	1 m mm-graduation	1 m mm/inch-graduation
Article N°.	961 2000 44S	961 2000 45S	961 1000 44S	961 1000 45S

961 Lefthander Aluminium rule, silver color

Silver color like item 961 silver color with black graduation (above) however one side is graduated from right to left (red graduation). Well suited for lefthanders.



	2 m mm-graduation
Article N°.	961 2000 94W

962 and 963

Flexible steel measuring rules made of **stainless**, hard-rolled spring band steel. For graduations available see matrix. Ultra-modern manufacturing processes ensure sharp graduation contours. The graduation is largely anti-abrasive, and withstands chemicals, grease and oil. Its matt finish allows good reading. Rounded edges. EC accuracy class II for metric

graduation. With additional graduation on the rear on request.

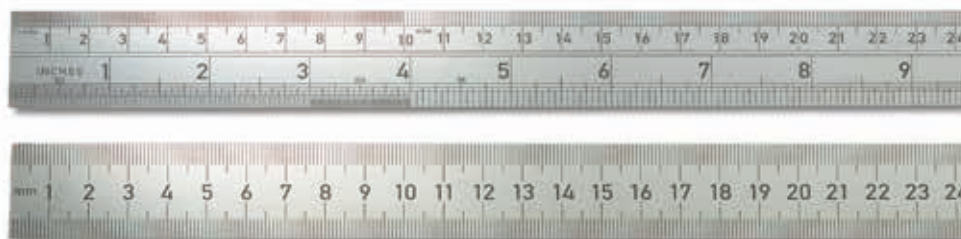


Article N°.	Length in mm	inch	Cross section in mm*	Graduation top edge	Graduation bottom edge
962 0100 30	100	4	13 x 0,5	1/2 mm	1/1 mm
962 0100 40	100	4	13 x 0,5	1/1 mm	1/1 mm
962 0100 50	100	4	13 x 0,5	1/16, 1/32, 1/64"	1/2, 1/1 mm
962 0150 30	150	6	13 x 0,5	1/2 mm	1/1 mm
962 0150 40	150	6	13 x 0,5	1/1 mm	1/1 mm
962 0150 50	150	6	13 x 0,5	1/16, 1/32, 1/64"	1/2, 1/1 mm
962 0200 30	200	8	13 x 0,5	1/2 mm	1/1 mm
962 0200 40	200	8	13 x 0,5	1/1 mm	1/1 mm
962 0200 50	200	8	13 x 0,5	1/16, 1/32, 1/64"	1/2, 1/1 mm
962 0250 30	250	10	13 x 0,5	1/2 mm	1/1 mm
962 0250 40	250	10	13 x 0,5	1/1 mm	1/1 mm
962 0250 50	250	10	13 x 0,5	1/16, 1/32, 1/64"	1/2, 1/1 mm
962 0300 30	300	12	13 x 0,5	1/2 mm	1/1 mm
962 0300 40	300	12	13 x 0,5	1/1 mm	1/1 mm
962 0300 50	300	12	13 x 0,5	1/16, 1/32, 1/64"	1/2, 1/1 mm
963 0150 60	150	6	18 x 0,5	1/2, 1/1 mm	1/16, 1/32, 1/64"
963 0400 30	400	16	18 x 0,5	1/2 mm	1/1 mm
963 0500 30	500	20	18 x 0,5	1/2 mm	1/1 mm
963 0500 40	500	20	18 x 0,5	1/1 mm	1/1 mm
963 0500 50	500	20	18 x 0,5	1/16, 1/32, 1/64"	1/2, 1/1 mm
963 1000 30	1000	39	18 x 0,5	1/2 mm	1/1 mm
963 1000 40	1000	39	18 x 0,5	1/1 mm	1/1 mm
963 1000 50	1000	39	18 x 0,5	1/16, 1/32, 1/64"	1/2, 1/1 mm
963 1500 30	1500	59	18 x 0,5	1/2 mm	1/1 mm
963 1500 40	1500	59	18 x 0,5	1/1 mm	1/1 mm
963 1500 50	1500	59	18 x 0,5	1/16, 1/32, 1/64"	1/2, 1/1 mm
963 2000 30	2000	78	18 x 0,5	1/2 mm	1/1 mm
963 2000 40	2000	78	18 x 0,5	1/1 mm	1/1 mm
963 2000 50	2000	78	18 x 0,5	1/16, 1/32, 1/64"	1/2, 1/1 mm
963 3000 30	3000	118	18 x 0,5	1/2 mm	1/1 mm
963 3000 40	3000	118	18 x 0,5	1/1 mm	1/1 mm
963 3000 50	3000	118	18 x 0,5	1/16, 1/32, 1/64"	1/2, 1/1 mm

* Tolerance of widths $\pm 0,5$ mm

966

Rigid steel measuring rules made of **stainless**, hard-rolled spring band steel. For graduations available see matrix. Ultra-modern manufacturing processes ensure sharp graduation contours. The graduation is largely anti-abrasive, and withstands chemicals, grease and oil. Its matt finish allows good reading. Rounded edges. EC accuracy class for metric



graduation. With additional graduation on the rear on request.

Article N°.	Length in mm	inch	Cross section in mm**	Graduation top edge	Graduation bottom edge
966 0300 60	300	12	30 x 1,0	1/2, 1/1 mm	1/16, 1/32, 1/64"
966 0500 60	500	20	30 x 1,0	1/2, 1/1 mm	1/16, 1/32, 1/64"
966 0600 60	600	24	30 x 1,0	1/2, 1/1 mm	1/16, 1/32, 1/64"
966 1000 60	1000	39	30 x 1,0	1/2, 1/1 mm	1/16, 1/32, 1/64"
966 0300 40	300	12	30 x 1,0	1/1 mm	1/1 mm
966 0500 40	500	20	30 x 1,0	1/1 mm	1/1 mm
966 0500 90***	500	20	30 x 1,0	1/1 mm	1/1 mm
966 0600 40	600	24	30 x 1,0	1/1 mm	1/1 mm
966 1000 40	1000	39	30 x 1,0	1/1 mm	1/1 mm
966 1000 30	1000	39	30 x 1,0	1/2 mm	1/1 mm
966 1000 90***	1000	39	30 x 1,0	1/1 mm	1/1 mm
966 1500 30	1500	59	30 x 1,0	1/2 mm	1/1 mm
966 2000 30	2000	78	30 x 1,0	1/2 mm	1/1 mm
966 3000 30	3000	118	30 x 1,0	1/2 mm	1/1 mm

** Tolerance of width $\pm 0,5$ mm, ***point zero on the right side

427 BMI roll-up rule



Stainless steel tape, white enamelled, unbreakable, long lifetime, tape rolls out on its own; very stable when it is rolled out; handy when it is rolled in; only 50mm diameter; convex tape allows precise measurement and marking.

Article N°.	Length in mm	Width
42705041.30	500	19
42710041.30	1000	19

760/761 Vernier Calipers

Calipers with locking screw or instantaneous clamp, according to DIN 862, made of stainless steel, satin-chromed graduation, 4-fold measurement, with thread table, in an artificial leather case.



Article N°.	measuring range mm	reading mm	reading inch	jaw length mm	remark
760 150	150	0,05	1/128	40	
760 200	200	0,05	1/128	40	
760 300	300	0,05	1/128	60	
761 150	150	0,05	1/128	40	with clamp

770 Digital Caliper

Digital caliper with LCD-display 11 mm, with data outlet, according to DIN 862, display in mm and inch, made of stainless steel, satin-chromed graduation, 4-fold measurement, with locking screw, with thread table, including replacement battery, in the plastic box.



Article N°.	measuring range mm	reading mm	reading inch	jaw length mm
770 150	150	0,01	0,0005	40
770 200	200	0,01	0,0005	50

763 Depth Gauge

Depth gauge with straight or clamp measuring rod, according to DIN862, made of stainless steel, satin-chromed graduation, with locking screw, the artificial leather case.



Article N°.	measuring range mm	reading mm	bridging length mm	remark
763 150	150	0,05	100	

765 External Micrometer

According to DIN 863, satin-chromed, spindle \varnothing 6,5 mm, measuring surface made of hardened alloy, insulating hand protection, locking lever, ratchet, in a plastic box.



Article N°.	measuring range mm	reading mm	spindle \varnothing mm
765 000 025	0-25	0,01	6,5
765 025 050	25-50	0,01	6,5

766 Precision Dial Gauges

Adjustable tolerance marks, 1/100-reading, clamp \varnothing 8 mm h6



Article N°.	measuring range mm	reading mm	Scale	clock \varnothing mm
766 010	10	0,01	0-100	58

768 Protractor

Protractor with locking screw, matt-chromed graduation, in the case.



Article N°.	\varnothing scale mm	leg length mm
768 120 150	120	150
768 200 300	200	300

Squares

716 "8 in 1"

Joiner and mitre octo square!
 Foldable, fitting in every tool box,
 folding angle with 8 firm locking:
 0°, 22,5°, 45°, 67,5°, 90°,
 112,5°, 135°, and 157,5°,
 Lasting accuracy plus/minus
 0,05 degrees = 1 mm/m;
 leg made of anodised aluminium,
 blade made of stainless steel,
 graduation etched on both sides.



Article N°.	Length of blades mm	Leg length mm
716 200 137	200	80
716 300 162	300	120
716 400 182	400	150

950 Carpenter's Square/Coated

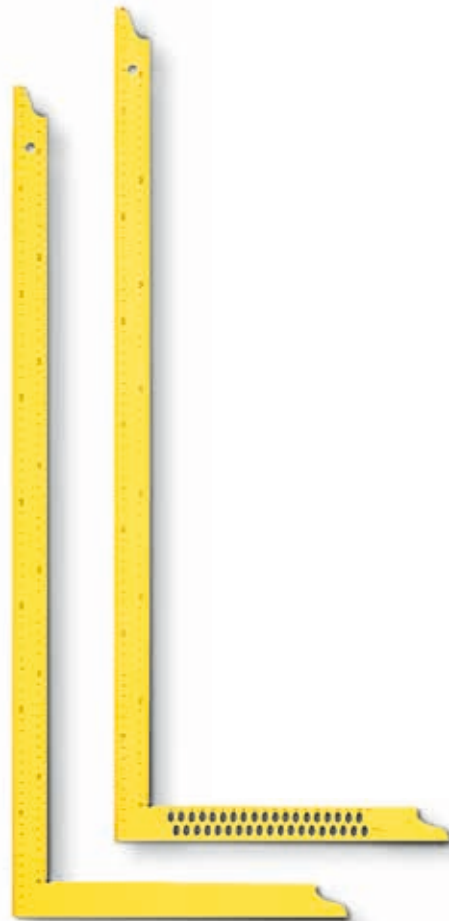
Carpenter's angle for drawing right angles and precise extension of cutting lines. Yellow, powder coated design with or without marking holes, mm-graduation.

without marking holes

Article N°.	Leg length mm
950 060 001	600
950 070 001	700
950 080 001	800
950 100 001	1000

with marking holes

Article N°.	Leg length mm
950 070 002	700
950 080 002	800
950 100 002	1000



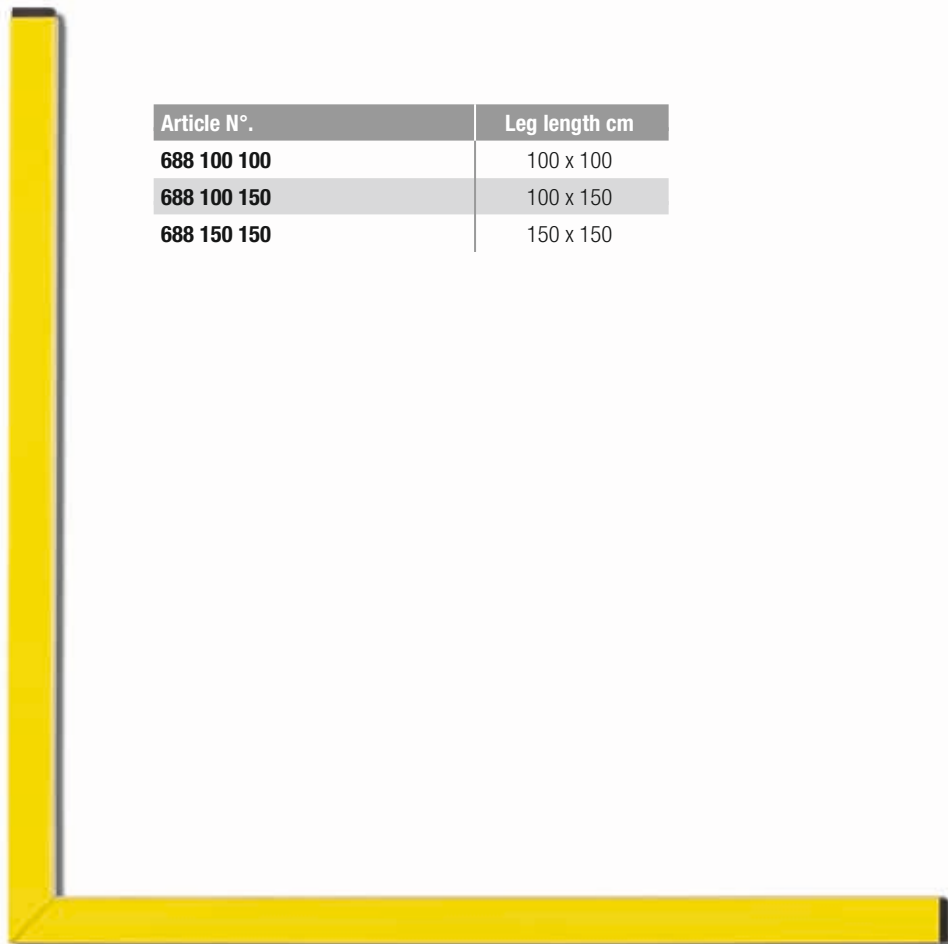
Rigid builder's square

Rigid builder's square

90° angle square made of spirit level profile.

Yellow powder-coated.

An additional packing- and transportation charge applies on orders less than 10 pcs.



Article N°.	Leg length cm
688 100 100	100 x 100
688 100 150	100 x 150
688 150 150	150 x 150

789 Protractor

Protractor made from high impact plastic.



Article N°.	Length in mm
789 500	100 x 100

Multiple Angle Square WINKELSTAR

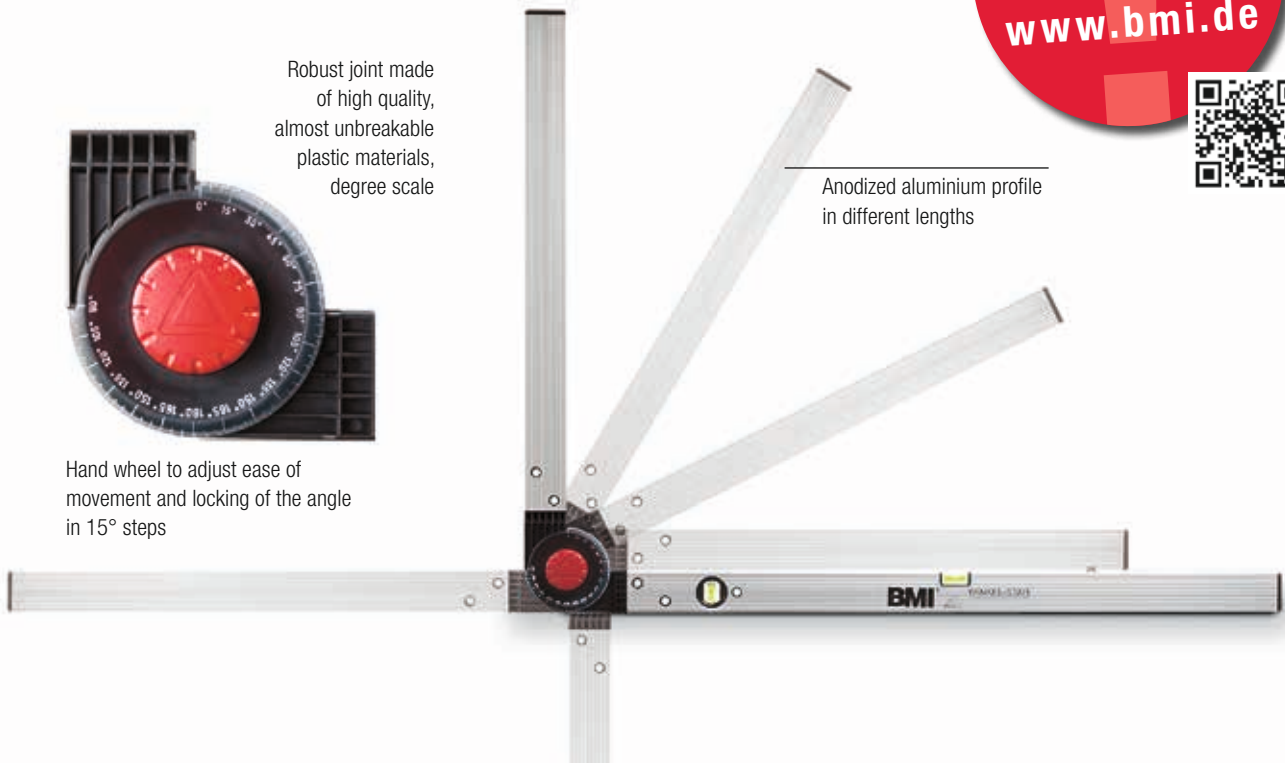


Robust joint made of high quality, almost unbreakable plastic materials, degree scale

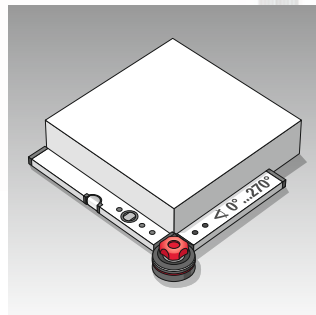


Hand wheel to adjust ease of movement and locking of the angle in 15° steps

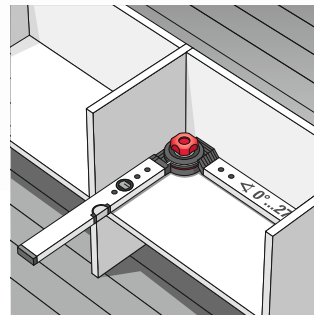
Anodized aluminium profile in different lengths



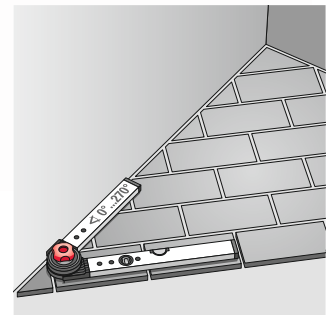
Robust foldable angle level for variable transfer or taking of angles of **0° to 270°**. The angles can be fixed in 15° steps. With the built-in vials it can also be used as a spirit level. Easy transport. Available in different sizes.



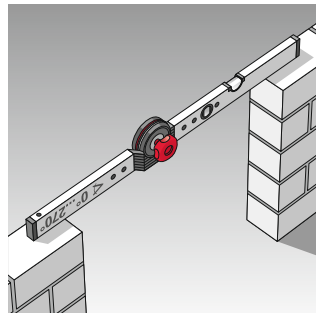
Outer 90° angle



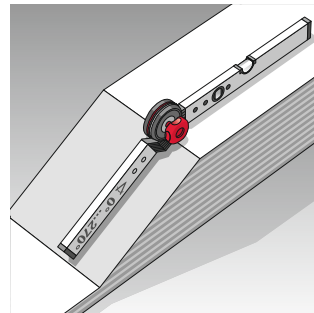
Inner 90° angle



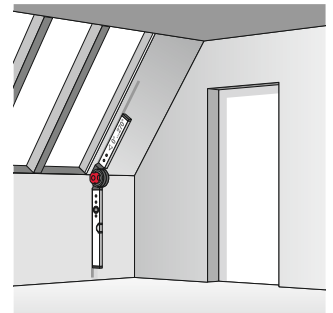
45° angle



Works as a level



Gradient/slope works



Works as a bevel

Article N°.	Short leg	Long leg
715 030 040	30 cm	40 cm
715 060 080	60 cm	80 cm
715 060 120	60 cm	120 cm
715 100 150	100 cm	150 cm
715 100 200	100 cm	200 cm

Quadratrix



With the Quadratrix it is very easy to measure or transfer angles. Just place and read from the clock or the LCD display. By means of vials you can establish the horizontal or vertical line. Solid design. The device can also be used as a level or circle.



The angle is directly read from the measuring clock. Double scale of 0 – 90° and 90 – 180°.



The angle is directly read from the LCD display. Measuring range 355°. Indicates in 0,1° steps.

Article N°.	Length without needle point	remark
714 450 M	450 mm	clock version
714 600 M	600 mm	clock version
714 600 D	600 mm	LCD display (without needle point)

Telescopic Measuring Staffs

5035

Article N°. 710 5035

Max. length 5000
 Min. length 1120
 Telescope sections 5
 Material Aluminium
 Cross section mm 34/24
 Weight in kg 1,2
 Front graduation mm
 Rear graduation –

Carrying case

Article N°. 710 5004



5054

Article N°. 710 5054

Max. length 4000
 Min. length 1120
 Telescope sections 4
 Material Aluminium
 Cross section mm 34/24
 Weight in kg 1,0
 Front graduation cm-E
 Rear graduation mm

Carrying case

Article N°. 710 5004



5062/5064/5065

Article N°. 710 5062

Max. length 3000
 Min. length 700
 Telescope sections 6
 Material Aluminium
 Cross section mm 37,5/27,5
 Weight in kg 1,3
 Front graduation mm
 Rear graduation –

Carrying case

Article N°. 710 5006

Article N°. 710 5064

Max. length 4000
 Min. length 865
 Telescope sections 6
 Material Aluminium
 Cross section mm 37,5/27,5
 Weight in kg 1,5
 Front graduation mm
 Rear graduation –

Carrying case

Article N°. 710 5005

Article N°. 710 5065

Max. length 5000
 Min. length 1070
 Telescope sections 6
 Material Aluminium
 Cross section mm 37,5/27,5
 Weight in kg 2,0
 Front graduation mm
 Rear graduation –

Carrying case **incl.**



5045/48

Article N°. 710 5045

Max. length 5000
 Min. length 1030
 Telescope sections 5
 Material Aluminium square
 Cross section mm 38/36
 Weight in kg 2,0
 Front graduation mm
 Rear graduation –

Carrying case incl.

Article N°. 710 5048

Max. length 8000
 Min. length 1530
 Telescope sections 6
 Material Aluminium square
 Cross section mm 38/36
 Weight in kg 2,6
 Front graduation mm
 Rear graduation –

Carrying case incl.

5075 digital

Article N°. 710 5075

Max. length 5000
 Min. length 1040
 Telescope sections 5
 Material Aluminium
 Cross section mm 38/36
 Weight in kg 2,1
 Front graduation mm
 Rear graduation –

Carrying case incl.

Batteries included in the scope of delivery.

Easy-to-use telescopic measuring rod with digital display and mm graduation. Non-stop operating time 50 hrs. Digital display with hold function and reference point setting. Accuracy between 0° and 40° C: ± 1,2 mm/5 m



Surveyor's Equipment

Surveyor's equipment requires good handling, especially when it is used for measuring larger distances. With the make-up of our distance measuring devices we have focussed on easing the user's work. From BMI you will obtain the right distance measuring device for a broad range of applications.

Mini Rollfix



Mini Rollfix

This small, compact **tandem-wheel** Rollfix is especially suited for the use on solid, even grounds for comparatively short distances.

Forward and backward measuring (with a simple correction when the target point has been passed), lever-operated counter reset. The guiding rod can be folded for transport.

Measuring range: 99.999,99 m
Resolution: 1 cm
Wheel diameter: 159,2 mm = 0,5 m girth
Total height: 950 mm
Total weight: 1,25 kg

Article N°.

700 1990 Mini Rollfix

Rollfix Easy 2



Rollfix Easy 2

The distance measuring device made of ABS plastic combines both the advantage of little weight and the benefit of a large measuring wheel. **Forward and backward measuring** (with a simple correction when the target point has been passed). Lever-operated counter reset. The swing-out parking rack and the built-in parking brake facilitate handling. The stable guiding rod made of Aluminium can be folded for transport. Including bag.

Measuring range: 9.999,90 m
Resolution: 10 cm
Wheel diameter: 318,3 mm = 1 m girth
Total height: 1.050 mm
Total weight: 2,0 kg
Tolerance: less than 1 %

Article N°.

700 1996 Rollfix Easy 2

Rollfix Easy



Rollfix Easy

This distance measuring device made of high-quality plastic includes both the advantage of little weight and the benefit of a large measuring wheel. **Forward and backward measuring** (with a simple correction when the target point has been passed), lever-operated counter reset. The swing-out parking rack and the built-in parking brake facilitate handling. The guiding rod can be folded for transport.

Measuring range: 99.999,99 m
Resolution: 1 cm
Wheel diameter: 318,3 mm = 1 m girth
Total height: 990 mm
Total weight: 2,2 kg
Tolerance: 1 %

Article N°.

700 1994 Rollfix Easy

ADVANTAGES

- Conscious selection of materials for long working life.
- Weight-reduced construction for ease of handling.
- All measuring wheels can be folded to a compact size to facilitate transport.
- Precision counters for accurate measurements.

Rollfix Standard



Rollfix Standard

Heavy, sturdy, **disk-type steel wheel** with solid rubber tyre. **Forward and backward measuring** (with a simple correction when the target point has been passed), lever-operated counter reset. The swing-out parking rack and the built-in parking brake facilitate handling. The guiding rod can be folded for transport.

Measuring range: 9.999,99 m
 Resolution: 1 cm
 Wheel diameter: 318,3 mm = 1 m girth
 Total height: 1090 mm
 Total weight: 3,9 kg

Tolerance: less than 0,05 %

We recommend our transport case as an accessory.

Article N°.
700 1995

Rollfix Standard

Rollfix Super



Rollfix Super

Heavy, **disk-type steel wheel** with solid rubber tyre. **Forward and backward measuring**, lever-operated counter reset. Wheel and frame have been painted in the **signalling colour** red, facilitate handling. The guiding rod can be folded for transport. The swing-out parking rack and the built-in parking brake facilitate handling. Track rail can be mounted.

Measuring range: 9.999,99 m
 Resolution: 1 cm
 Wheel diameter: 318,3 mm = 1 m girth
 Total height: 1090 mm
 Total weight: 3,9 kg

Tolerance: less than 0,02 %

TÜV-approved and suitable for calibration.

We recommend our transport case as an accessory.

Article N°.
700 1992

Rollfix Super

Transport case



Transport case, imitation leather, for Rollfix STANDARD and Rollfix SUPER models, 2 safety locks. Handle. Weight 2,2 kg.

Article N°.
700 1902

Transport case

Track Rail



Track Rail
 Weight: 0,6 kg

Article N°.
700 1993

Track rail

General Terms of Payment and Delivery

Edition 2016

1. Scope

Placement of any order with us shall be deemed unconditional acceptance of our Terms of Payment and Delivery by the party placing the order. Any terms of purchase proffered by a customer shall be valid only if expressly confirmed by us in writing. Amendments of terms, and any additional stipulations, shall be valid only if confirmed by us in writing. All contractual relations shall be governed by German law exclusively.

2. Offers

All offers made shall be revocable as regards price, quantity, time for delivery, and ability to supply the goods. We reserve the right to modification of goods in terms of design or technology without prior notice, as long as this does not affect functionality of the goods.

3. Products

All information on products given in our catalogue or in brochures reflect the current state of technology. Drawings, statements of dimension or weight shall be without obligation. Our products are subject to continuous further development. Information supplied on products shall be binding only if contained in our confirmation of order and made in writing. We shall be under no obligation to give notice of modifications made.

4. Prices

All prices quoted shall refer to the date of delivery. They refer to delivery ex works or ex representative's premises, excluding freight, postage, packing, and insurance. We reserve the right to adjust prices and to effect delivery in part shipments.

Products made to customer's order shall be subject to an extra charge. Such charge shall be stated as an approximate price to be finally fixed by the supplier after the product has been manufactured.

Where products shall be made to order or of non-standard design, any minimum order quantities may be exceeded or reduced. Prices quoted are basic prices excluding turn-over tax (value added tax).

5. Payment

Payment for delivered goods shall be effected within 30 days of the date of invoice at the latest. A two-per cent discount may be made if payment is effected within 10 days of the date of invoice.

Any mistake of solvency of a party and any failure to observe the terms of payment as stated above or as may otherwise have been agreed upon in writing, shall entitle the supplier, at his option, to demand prepayment, to rescind the contract, and to claim damages for breach (non-performance). The supplier may exercise the above rights concurrently, and exercising one right shall not exclude the right to exercise any other such rights. The ordering party shall not be entitled to retain any due payments or to set off any claims.

6. Retention of Title

We shall retain title to the goods in any condition until payment is made in full. The buyer shall not be entitled to use the goods to create a lien or other security. Where goods supplied shall be re-sold before full payment has been made, the claim for payment against the third party shall be substituted for the goods.

7. Time for Delivery

Any time for delivery shall be carefully calculated, although we shall be under no obligation to exactly comply to such calculation. Time shall commence from the date of confirmation of order. In the case of force majeure we shall be entitled to rescind the contract in full or in part. Any further claims by the ordering party, including but not limited to, cancellation and compensation for any kind of damage, including damage to property other than the goods, shall be excluded.

8. Passing of the Risk

Shipments shall be effected on the ordering party's account and at the ordering party's risk. Upon the goods leaving our store, our obligation to deliver the goods shall be deemed discharged. If not otherwise agreed upon, shipment will be effected by a carrier of our choice.

9. Acceptance and Performance

We shall be entitled to effect part shipments without our having to bear any additional charges, regardless of their nature. After the expiry of one week from the date that goods have been announced ready for shipment, delivery shall be deemed performed.

Where the ordering party shall be in default of acceptance or shall fail to observe his obligation to pay the purchase price, we shall grant an additional one week's indulgence, and thereafter be entitled to claim damages for breach (non-performance). For these purposes, liquidated damages shall be deemed agreed upon to amount to 20 per cent of the value of the goods delivered, deducting freight, packing and installation charges, without proof of actual damage and subject to higher damages to be claimed upon proof.

10. Liability for Defects

Any remedies for defects to be exercised by the ordering party / the buyer shall be subject to his discharging his obligations to properly investigate the goods and to notify of defects, as stipulated in Sections 377, and 378 HGB (German Commercial Code).

To the extent that BMI A. Keller GmbH shall be liable for a defect of the goods, we shall be entitled, at our option, to remedy the defect or to supply goods in replacement. Where a defect is to be remedied by us, we shall bear all necessary expenses, including transport, travelling, labour, and materials' costs, excluding, however, any increase in costs resulting from the goods being transferred to a location other than the place of performance.

Where we shall not be prepared or shall not be in a position to remedy a defect or to supply goods in replacement, including failure to remedy or replace within a reasonable period of time for reasons that we shall be responsible for, or where an attempt at remedying or replacement shall fail, then and in that event the ordering party shall be entitled, at his option, to rescind the contract or claim a reduction of the purchase price.

Subject to the provisions below, any further claim by the ordering party, based upon any grounds whatsoever, shall be excluded. Thus, we shall not be liable for damage to property other than the goods delivered. We shall not be liable to the ordering party for loss of profits or other financial loss. This exclusion of liability shall also extend to claims based in tort.

The above disclaimer of liability shall not comprise damage caused intentionally or recklessly. Further, it shall not comprise damages claimed by the ordering

party for breach (non-performance) as a result of the absence of any warranted qualities.

To the extent that we shall negligently fail to observe any material condition of the contract, our liability to compensate for personal injury and damage to property shall be limited to the amount covered by our product liability insurance policy. We are prepared to allow the ordering party to inspect our insurance policy upon his request. The warranty period is subject to legal requirement to run from the passing of the risk. This period is a limitation period. For consequential damage caused by defective goods, the warranty period is six months, unless a claim is based in tort.

11. Return of Goods

Where goods shall be returned, after an order has been regularly discharged, such return shall require the prior consent by BMI and shall be effected free of charge. The sum credited shall amount to the value of the goods deducting 15 per cent for further processing and packing, etc.

Upon the return of goods delivered more than 3 months before, we reserve the right to deduct a higher percentage.

Products made to order, and measuring instruments with promotional labelling, shall, as a rule, not be returned under any circumstances.

12. Third Party Intellectual Property Rights

Where an order shall be placed for a product whose design or constructional features shall conform to specification by the ordering party, that party shall make sure that no intellectual property rights of third parties will be affected. In case an infringement claim shall be made against us, that party shall indemnify us.

13. Place of Performance and Jurisdiction

The place of performance as regards deliveries and payments shall be Hersbruck and Nuremberg, respectively. The exclusive place of jurisdiction shall be Hersbruck and Nuremberg, respectively.

14. Miscellaneous

Where individual provisions of these General Terms of Payment and Delivery shall be or become invalid, such invalidity shall not affect the validity of the remaining provisions.

This catalogue is protected by copyright. This catalogue may not be reprinted, whole or in part, or otherwise reproduced, or stored by any electronic means, except by our express prior consent in writing. Modifications and errors reserved. We shall assume no liability for printing errors. Further remedies, based upon any grounds whatsoever, shall be excluded, unless expressly granted to the buyer.

This catalogue replaces and supercedes all earlier issued catalogues.

BMI®

Measuring Instruments

Bayerische Maßindustrie
A. Keller GmbH
BMI-MESSZEUGE
Rosengasse 12
DE-91217 Hersbruck

Telephone national (0 91 51) 73 01-0
international +49 (0)91 51 - 73 01-49

Telefax national (0 91 51) 73 01-44
international +49 (0)91 51 - 73 01-44

Internet www.bmi.de

eMail info@bmi.de



Profi
Qualität
Alles aus
einer Hand

2016

(EN-01.2016-3.000 o.Pr. / 197 06 47207-Ex/47)